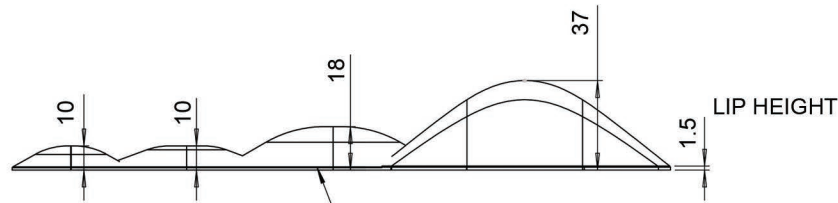


PlayMounds

Arc Stepper Left to Right

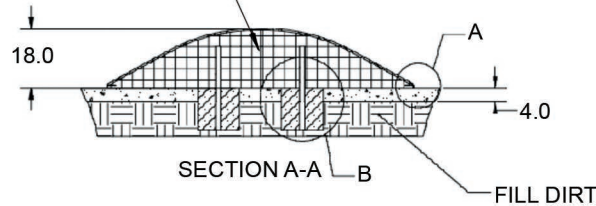


ALL MOUNDS HAVE THE SAME ANCHORING SET UP

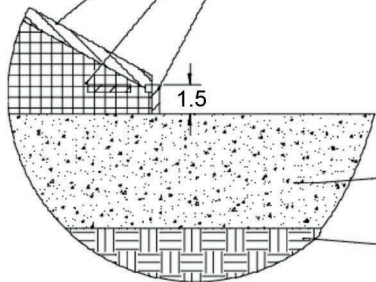


PlayMounds™ patent pending Layering System by ForeverLawn®

- EPP PROTECTIVE FOAM LAYER
- EPS GEO FOAM CORE
- HDPE NAILER FOR SECURING FOREVERLAWN TURF



GROUND ANCHORING SYSTEM

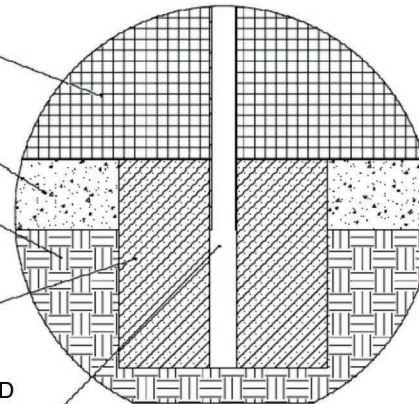


DETAIL A
SCALE 1:3

- EPS GEO FOAM CORE
- 4" OF CRUSHED STONE

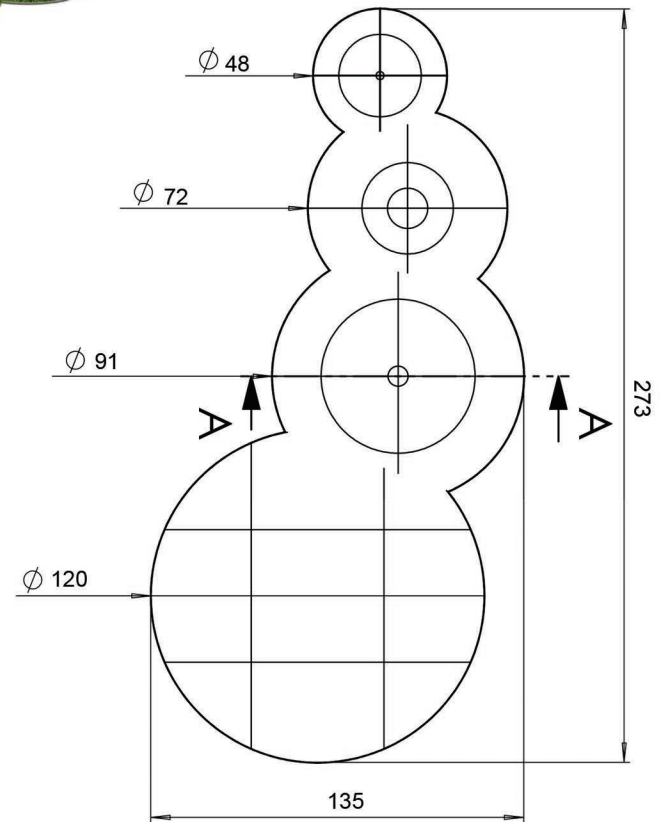
FILL DIRT

CONCRETE FOOTER



DETAIL B
SCALE 1:5

GALVANIZED STEEL POLE GLUED INTO GEO FOAM WITH URETHANE EXPANDABLE FOAM THEN SUNK INTO THE CONCRETE FOOTER



PLAYMOUND SECTIONS MUST BE GLUED TOGETHER USING GREAT STUFF PRO™

Units: Feet and inches



330.499.8873 • foreverlawn.com
 8007 Beeson St., Louisville, OH 44641



microsite.caddetails.com/1148

Material	Polystyrene	
Covering	Turf (sold separately)	
Weight		
Drawing No.	M1928	05/24