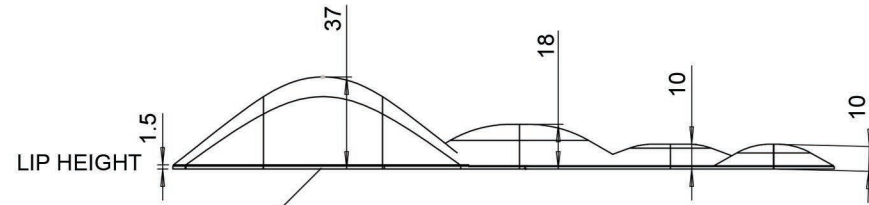
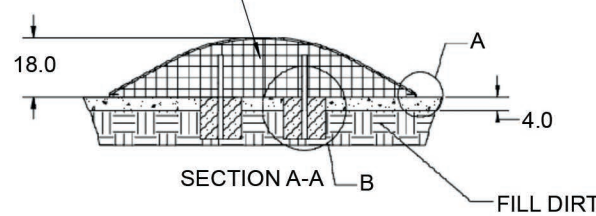


# PlayMounds

Arc Stepper Right to Left

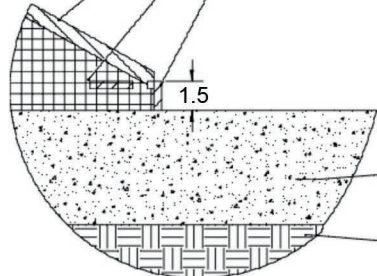


ALL MOUNDS HAVE THE SAME ANCHORING SET UP



**PlayMounds™ patent pending Layering System by ForeverLawn®**

- EPP PROTECTIVE FOAM LAYER
- EPS GEO FOAM CORE
- HDPE NAILER FOR SECURING FOREVERLAWN TURF



DETAIL A  
SCALE 1:3

### GROUND ANCHORING SYSTEM

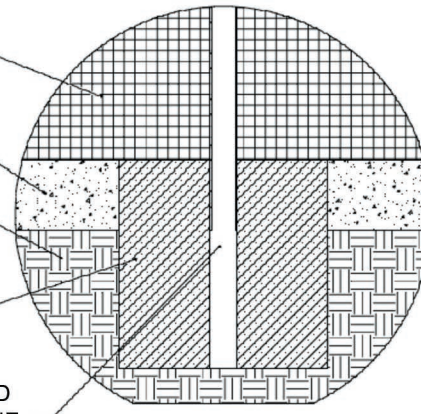
EPS GEO FOAM CORE

4" OF CRUSHED STONE

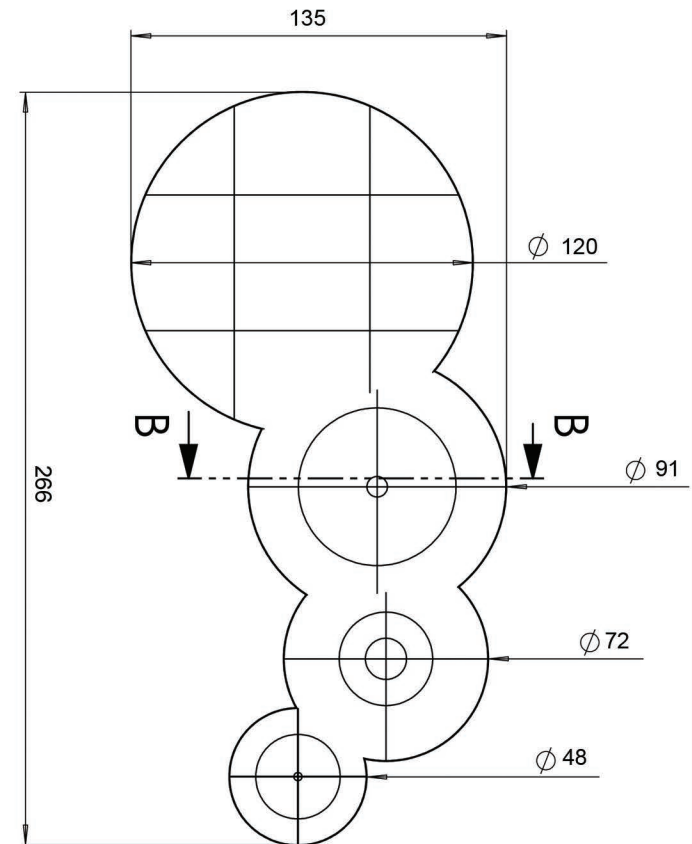
FILL DIRT

CONCRETE FOOTER

GALVANIZED STEEL POLE GLUED INTO GEO FOAM WITH URETHANE EXPANDABLE FOAM THEN SUNK INTO THE CONCRETE FOOTER



DETAIL B  
SCALE 1:5



Units: Feet and inches



330.499.8873 • foreverlawn.com  
 8007 Beeson St., Louisville, OH 44641



microsite.caddetails.com/1148

Material	Polystyrene	
Covering	Turf	
Weight		
Drawing No.	M1929	05/24