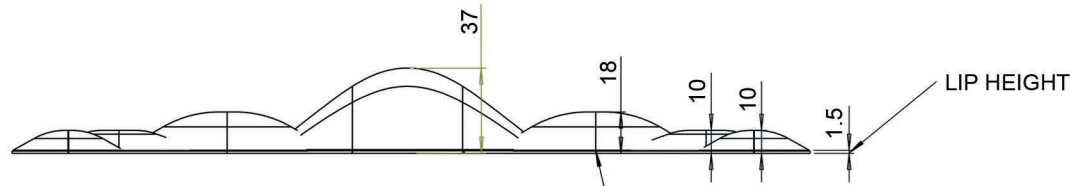
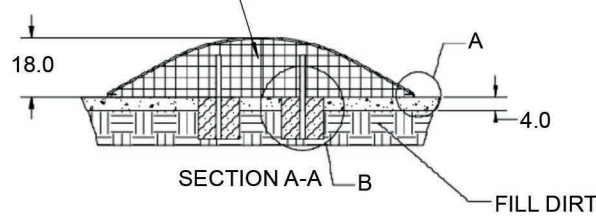


PlayMounds

Crescent Stepper

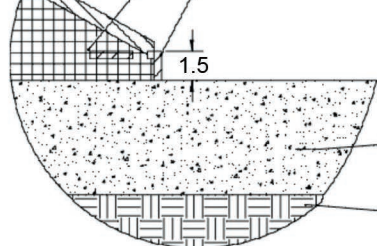


ALL MOUNDS HAVE THE SAME ANCHORING SET UP



PlayMounds™ patent pending Layering System by ForeverLawn®

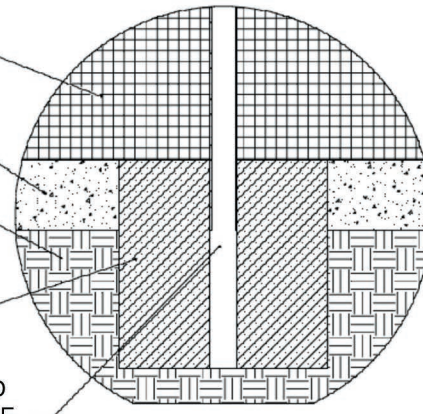
- EPP PROTECTIVE FOAM LAYER
- EPS GEO FOAM CORE
- HDPE NAILER FOR SECURING FOREVERLAWN TURF



DETAIL A
SCALE 1:3

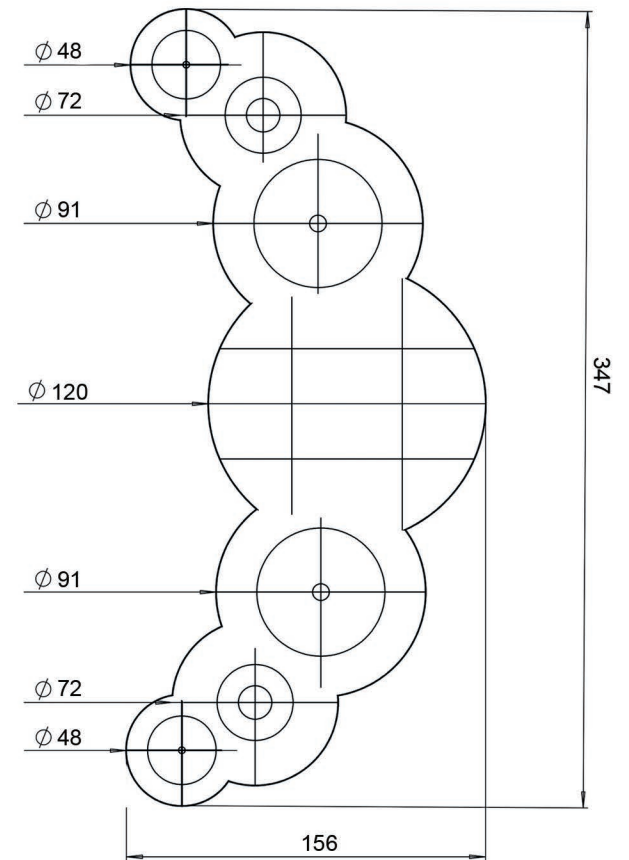
GROUND ANCHORING SYSTEM

- EPS GEO FOAM CORE
- 4" OF CRUSHED STONE
- FILL DIRT



DETAIL B
SCALE 1:5

GALVANIZED STEEL POLE GLUED INTO GEO FOAM WITH URETHANE EXPANDABLE FOAM THEN SUNK INTO THE CONCRETE FOOTER



Units: Feet and inches



330.499.8873 • foreverlawn.com
 8007 Beeson St., Louisville, OH 44641



microsite.caddetails.com/1148

Material	Polystyrene	
Covering	Turf	
Weight		
Drawing No.	M1932	05/24