

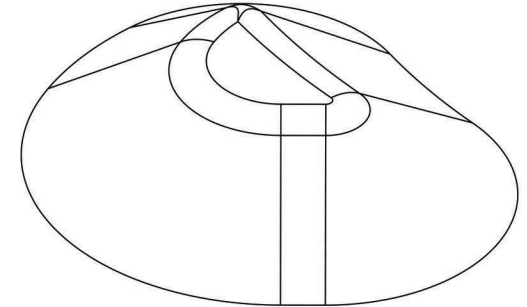
PlayMounds

Adventure Island PlayMound

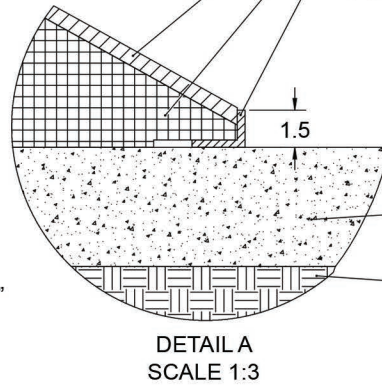
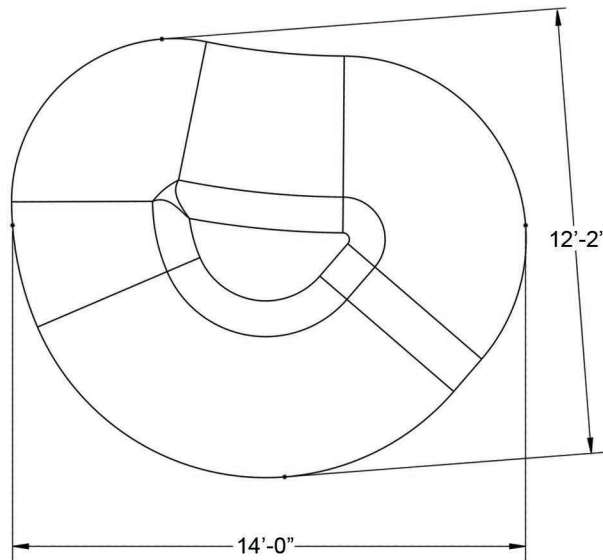


PlayMounds™ patent pending Layering System by ForeverLawn®

- EPP PROTECTIVE FOAM LAYER
- EPS GEO FOAM CORE
- HDPE NAILER FOR SECURING FOREVERLAWN TURF



GROUND ANCHORING SYSTEM



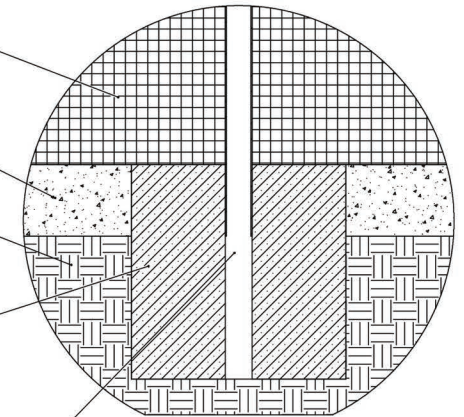
EPS GEO FOAM CORE

4" OF CRUSHED STONE

FILL DIRT

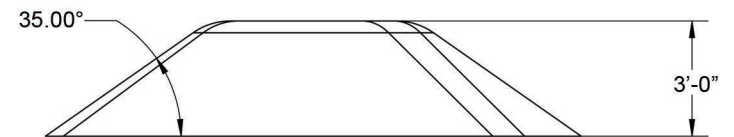
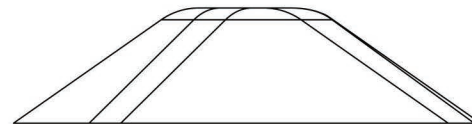
CONCRETE FOOTER

GALVANIZED STEEL POLE GLUED INTO GEO FOAM WITH URETHANE EXPANDABLE FOAM THEN SUNK INTO THE CONCRETE FOOTER



DETAIL B
SCALE 1:5

PLAYMOUND SECTIONS
MUST BE GLUED TOGETHER
USING GREAT STUFF PRO™



Units: Feet and inches



330.499.8873 • foreverlawn.com
 8007 Beeson St., Louisville, OH 44641



microsite.caddetails.com/1148

Material	Polystyrene
Covering	Turf (sold separately)
Weight	575 lb
Drawing No.	M1693 05/24