

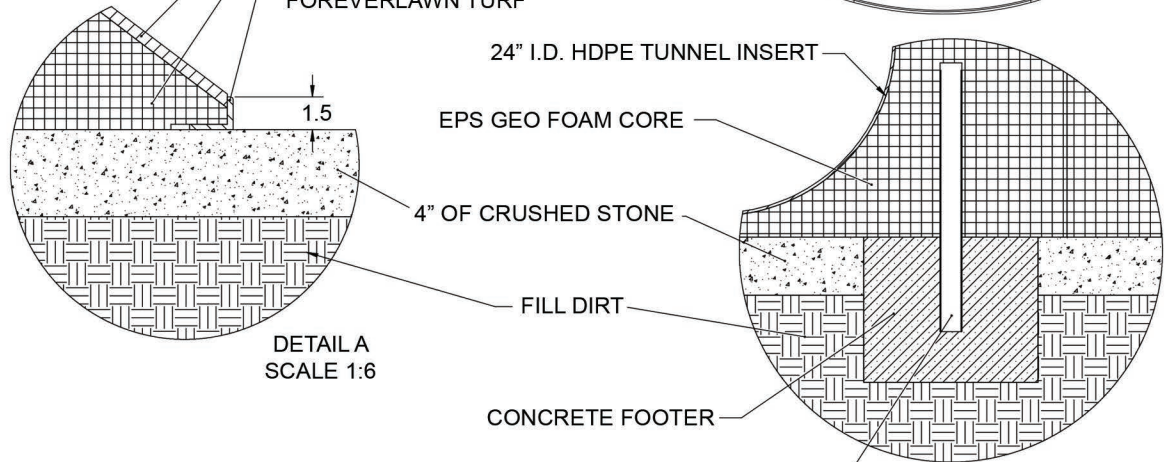
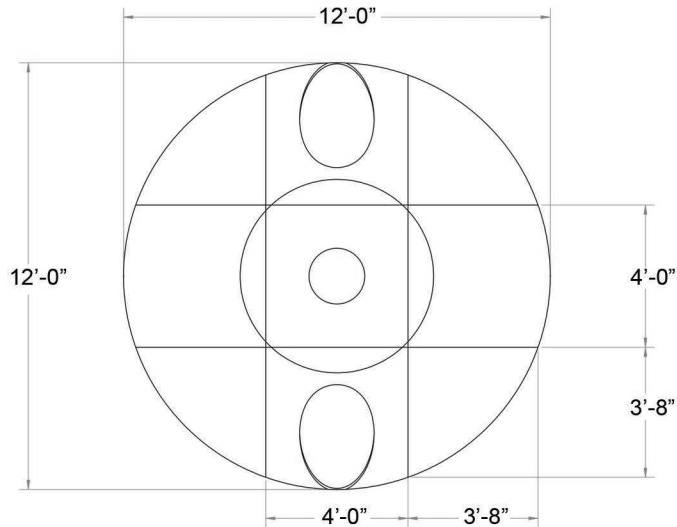
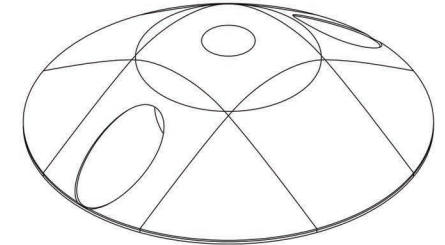
# PlayMounds

Large PlayMound with Tunnel – 12'

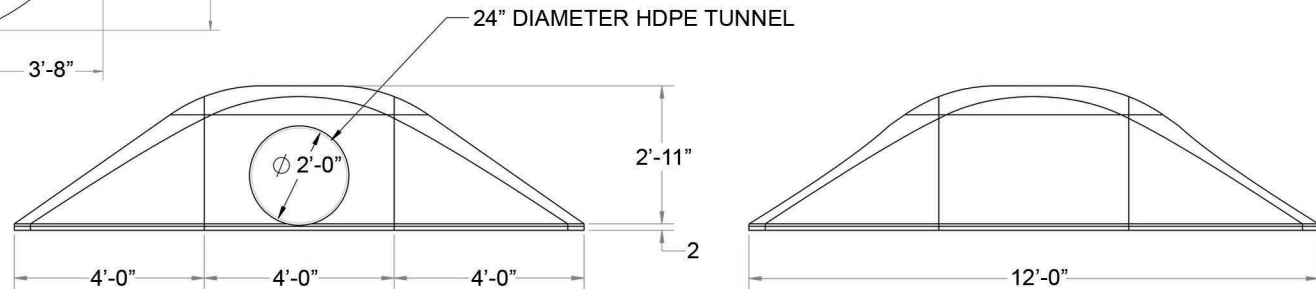


## GROUND ANCHORING SYSTEM

PlayMounds™ patent pending Layering System by ForeverLawn®  
 EPP PROTECTIVE FOAM LAYER  
 EPS GEO FOAM CORE  
 HDPE NAILER FOR SECURING FOREVERLAWN TURF



GALVANIZED STEEL POLE GLUED INTO GEO FOAM WITH URETHANE EXPANDABLE FOAM THEN SUNK INTO THE CONCRETE FOOTER



PLAYMOUND SECTIONS MUST BE GLUED TOGETHER USING GREAT STUFF PRO™

Units: Feet and inches



330.499.8873 • foreverlawn.com  
 8007 Beeson St., Louisville, OH 44641



microsite.caddetails.com/1148

Material	Polystyrene
Covering	Turf (sold separately)
Weight	360 lb
Drawing No.	M1692
	05/24