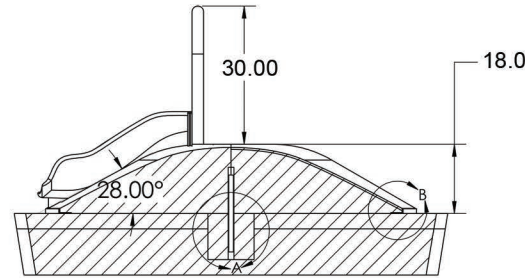
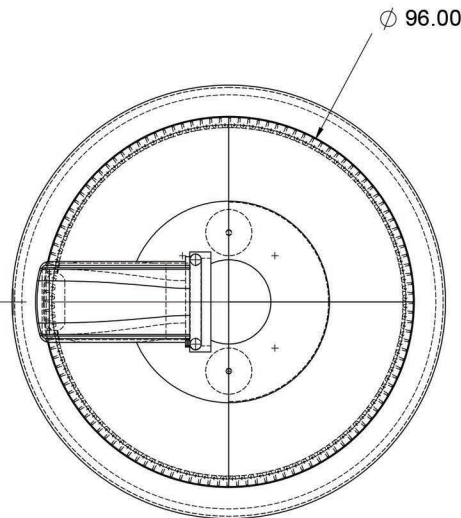


# PlayMounds

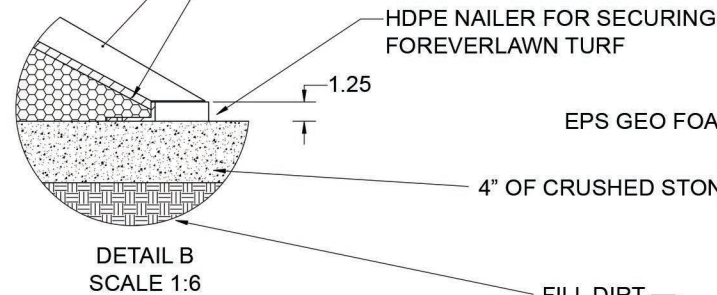
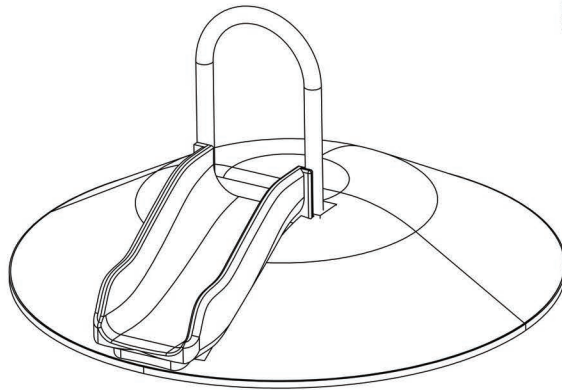
Medium PlayMound with Slide – 8'



**PlayMounds™ patent pending Layering System by ForeverLawn®**

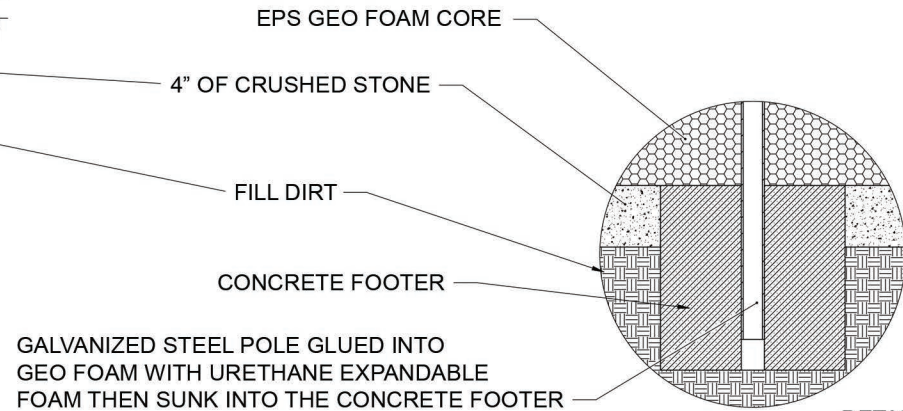
EPP PROTECTIVE FOAM LAYER  
 EPS GEO FOAM CORE

PLAYMOUND SECTIONS MUST BE GLUED TOGETHER USING GREAT STUFF PRO™



DETAIL B  
 SCALE 1:6

**GROUND ANCHORING SYSTEM**



DETAIL A  
 SCALE 1:6

Material	Polystyrene
Covering	Turf (sold separately)
Weight	295 lb
Drawing No.	M1804
	05/24