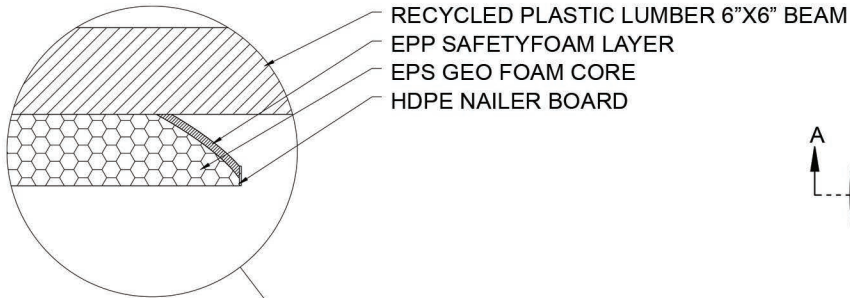
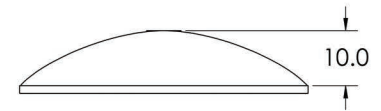
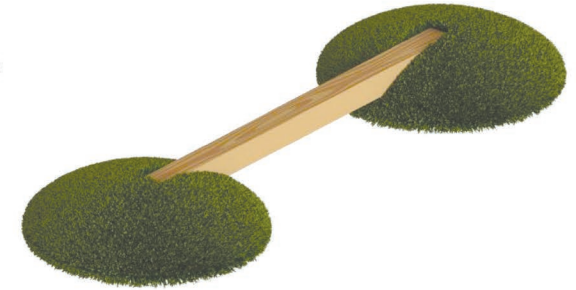
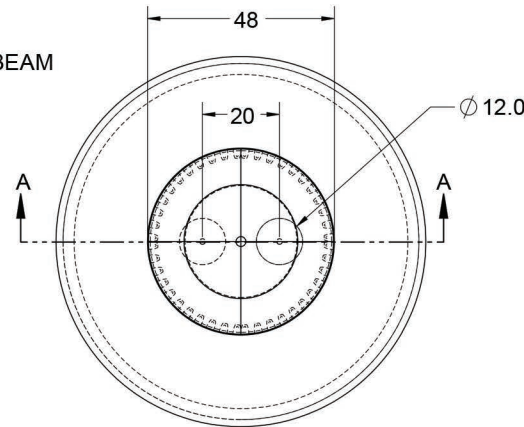


PlayMounds

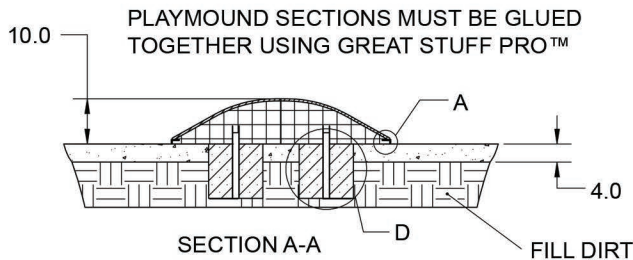
Mini PlayMound – 4' with Balance Beam



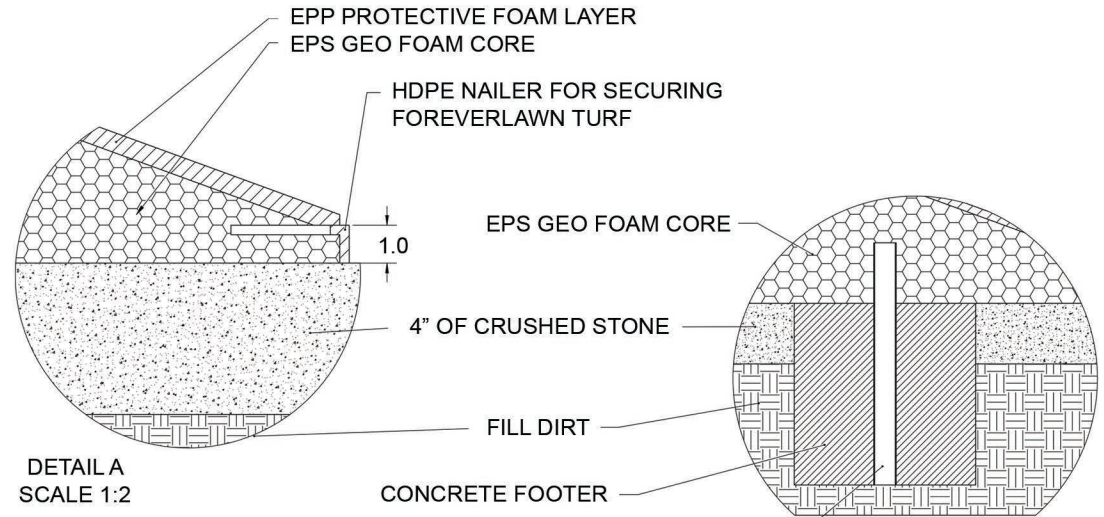
DETAIL B
SCALE 1:5



GROUND ANCHORING SYSTEM



PlayMounds™ patent pending Layering System by ForeverLawn®



DETAIL A
SCALE 1:2

DETAIL D
SCALE 1:5

GALVANIZED STEEL POLE GLUED INTO GEO FOAM WITH URETHANE EXPANDABLE FOAM THEN SUNK INTO THE CONCRETE FOOTER

Material	Polystyrene
Covering	Turf (sold separately)
Weight	
Drawing No.	M1640 05/24