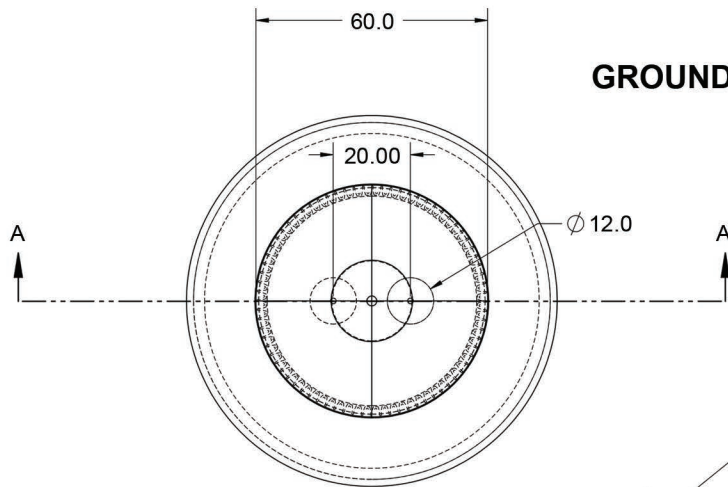


# PlayMounds

Mini PlayMound - 5'

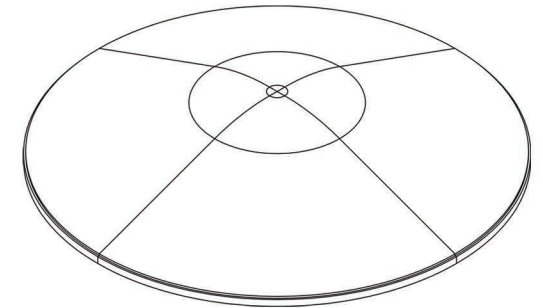
## GROUND ANCHORING SYSTEM



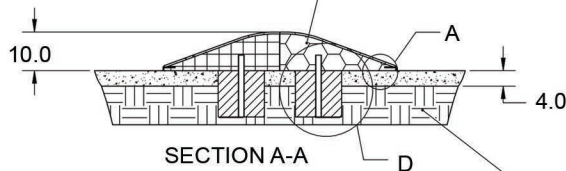
**PlayMounds™ patent pending Layering System by ForeverLawn®**

EPP PROTECTIVE FOAM LAYER  
 EPS GEO FOAM CORE

HDPE NAILER FOR SECURING FOREVERLAWN TURF



PLAYMOUND SECTIONS MUST BE GLUED TOGETHER USING GREAT STUFF PRO™



DETAIL A  
 SCALE 1:2

4" OF CRUSHED STONE

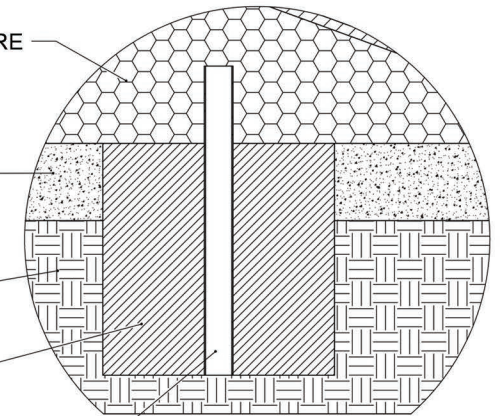
FILL DIRT

CONCRETE FOOTER

FILL DIRT

GALVANIZED STEEL POLE GLUED INTO GEO FOAM WITH URETHANE EXPANDABLE FOAM THEN SUNK INTO THE CONCRETE FOOTER

EPS GEO FOAM CORE



DETAIL D  
 SCALE 1:5

Material	Polystyrene
Covering	Turf (sold separately)
Weight	14 lb (32 lb turfed)
Drawing No.	M1538 05/24