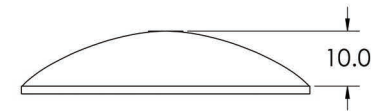
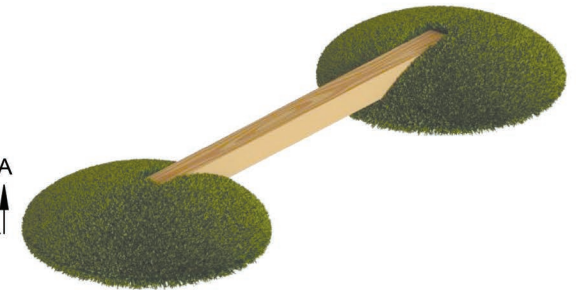
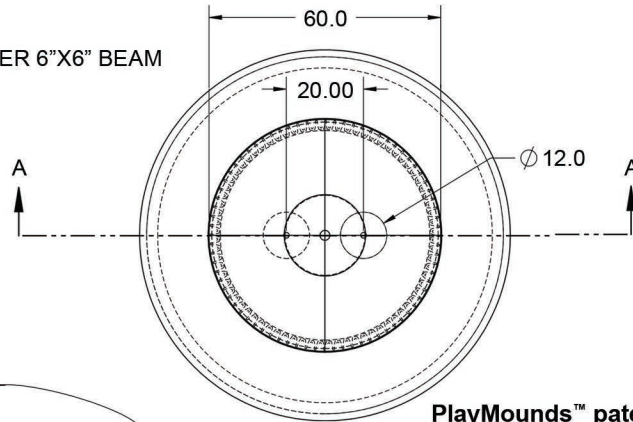
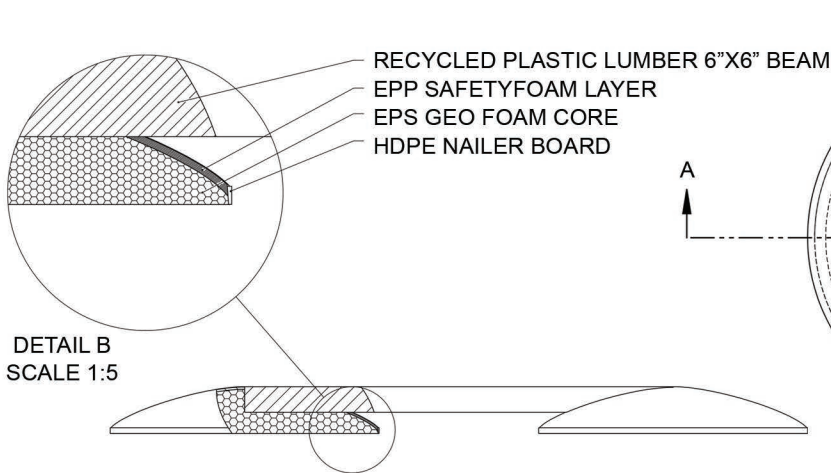
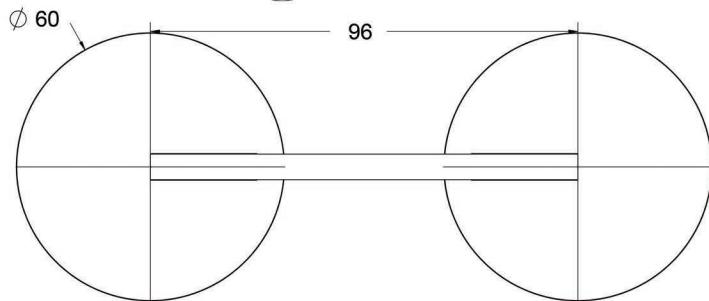


PlayMounds

Mini PlayMound – 5' with Balance Beam

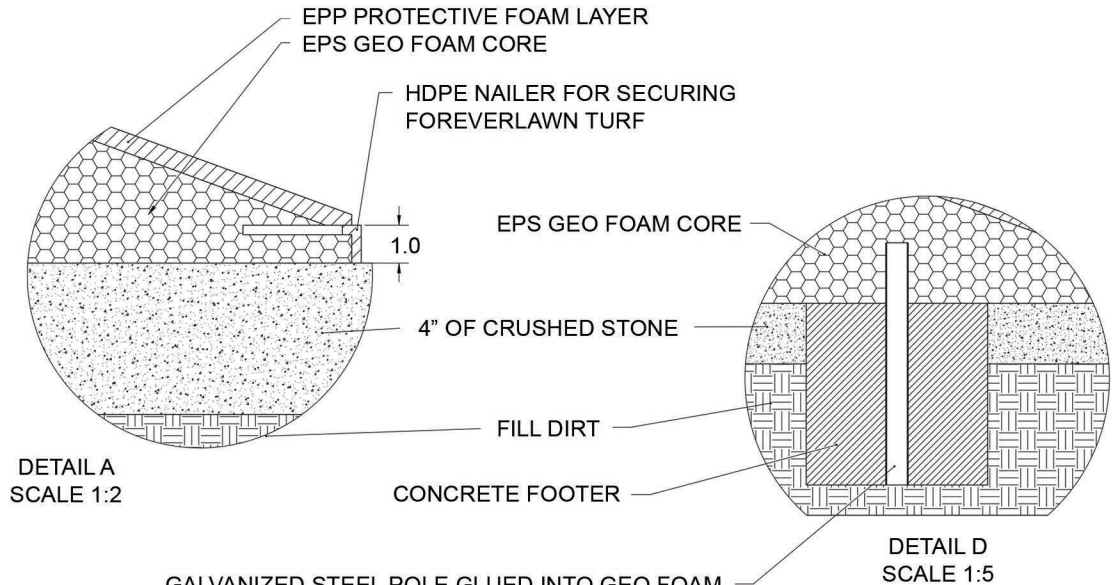
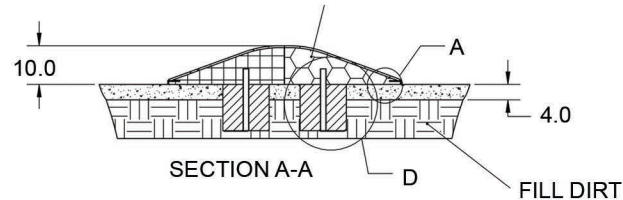


PlayMounds™ patent pending Layering System by ForeverLawn®



GROUND ANCHORING SYSTEM

PLAYMOUND SECTIONS MUST BE GLUED TOGETHER USING GREAT STUFF PRO™



GALVANIZED STEEL POLE GLUED INTO GEO FOAM WITH URETHANE EXPANDABLE FOAM THEN SUNK INTO THE CONCRETE FOOTER

Material	Polystyrene	
Covering	Turf (sold separately)	
Weight		
Drawing No.	M1690	05/24