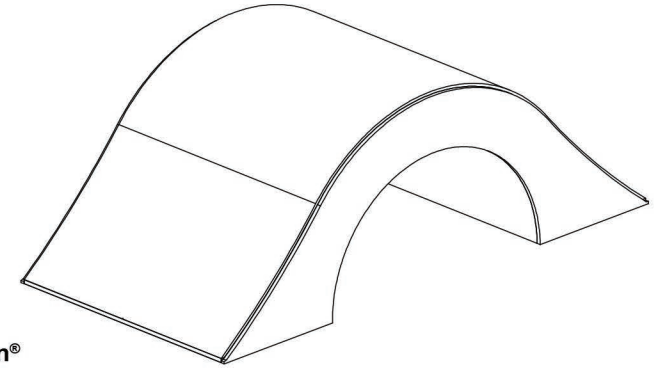
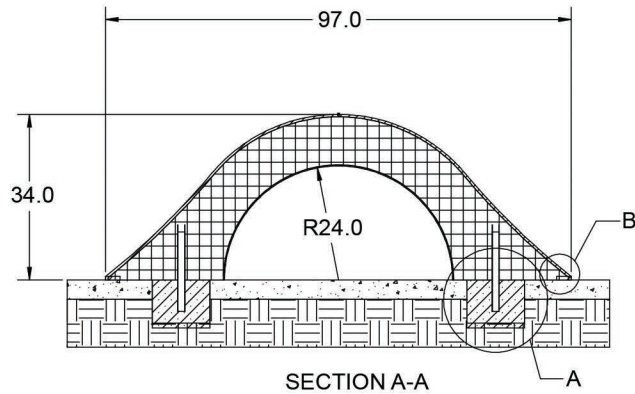


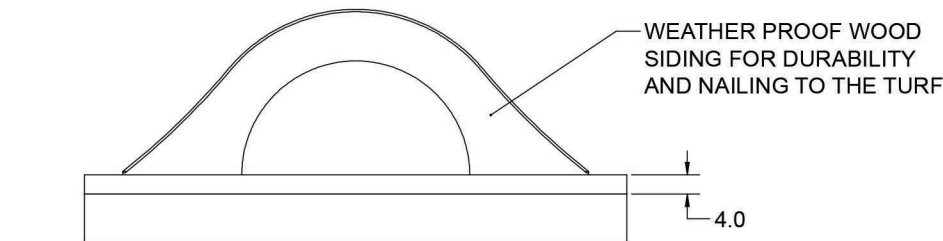
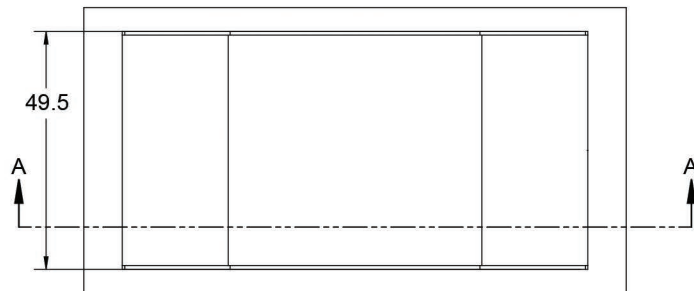
PlayMounds

Standard Bridge



PlayMounds™ patent pending Layering System by ForeverLawn®

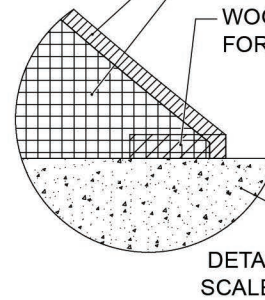
- EPP PROTECTIVE FOAM LAYER
- EPS GEO FOAM CORE
- WOOD NAILER FOR SECURING FOREVERLAWN TURF



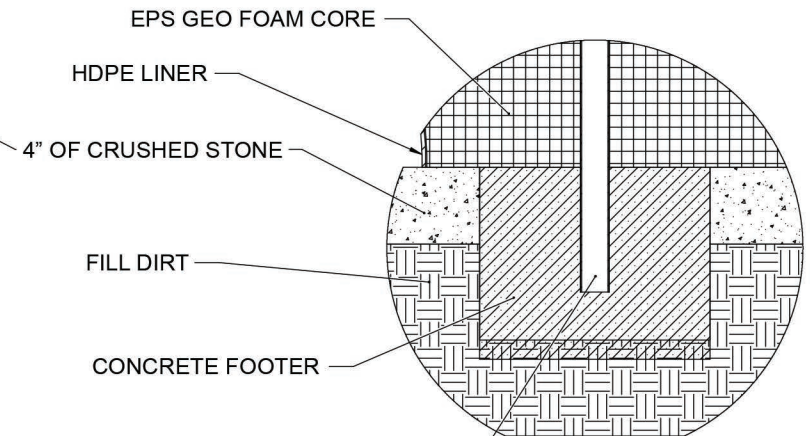
PLAYMOUND SECTIONS MUST BE GLUED TOGETHER USING GREAT STUFF PRO™

Units: Feet and inches

GROUND ANCHORING SYSTEM



DETAIL B
SCALE 1:3



DETAIL A
SCALE 1:5

GALVANIZED STEEL POLE GLUED INTO GEO FOAM WITH URETHANE EXPANDABLE FOAM THEN SUNK INTO THE CONCRETE FOOTER

Material	Polystyrene
Covering	Turf (sold separately)
Weight	112 lb (152 lb turfed)
Drawing No.	M1368
	05/24