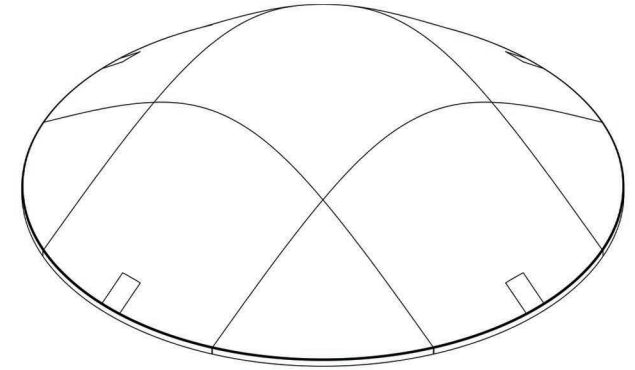
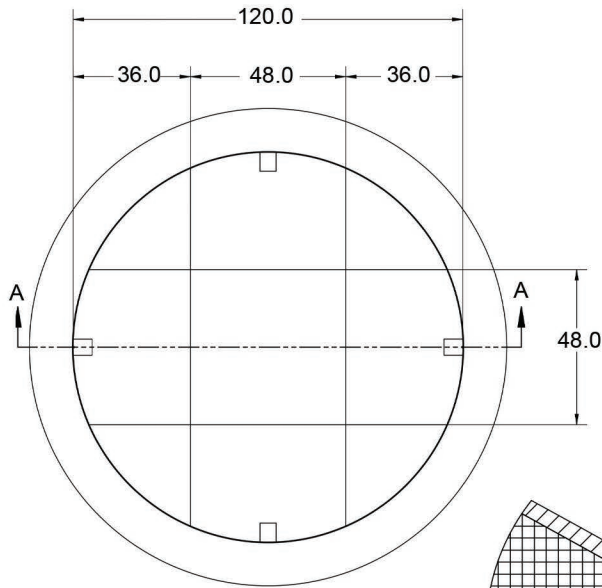


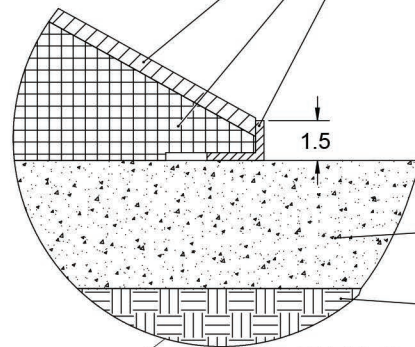
PlayMounds

Standard PlayMound – 10'



PlayMounds™ patent pending Layering System by ForeverLawn®
 EPP PROTECTIVE FOAM LAYER
 EPS GEO FOAM CORE
 HDPE NAILER FOR SECURING FOREVERLAWN TURF

GROUND ANCHORING SYSTEM



DETAIL A
SCALE 1:3

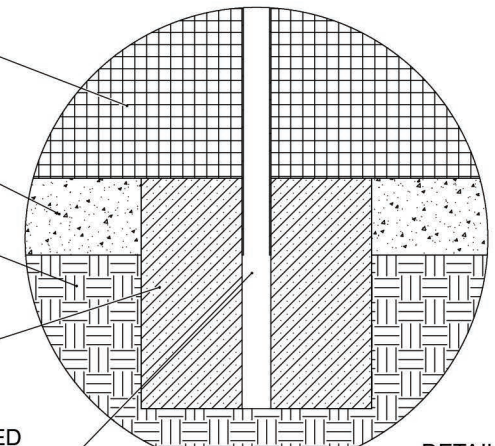
EPS GEO FOAM CORE

4" OF CRUSHED STONE

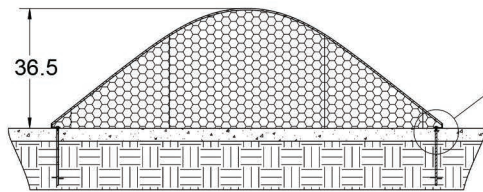
FILL DIRT

CONCRETE FOOTER

GALVANIZED STEEL POLE GLUED INTO GEO FOAM WITH URETHANE EXPANDABLE FOAM THEN SUNK INTO THE CONCRETE FOOTER



DETAIL B
SCALE 1:5



SECTION A-A

Units: Feet and inches

Material	Polystyrene
Covering	Turf (sold separately)
Weight	325 lb
Drawing No.	M1469
	05/24