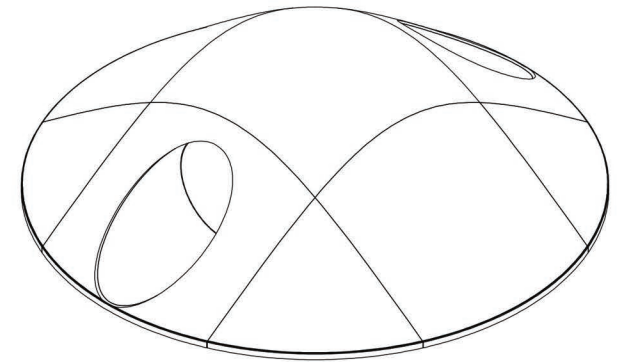
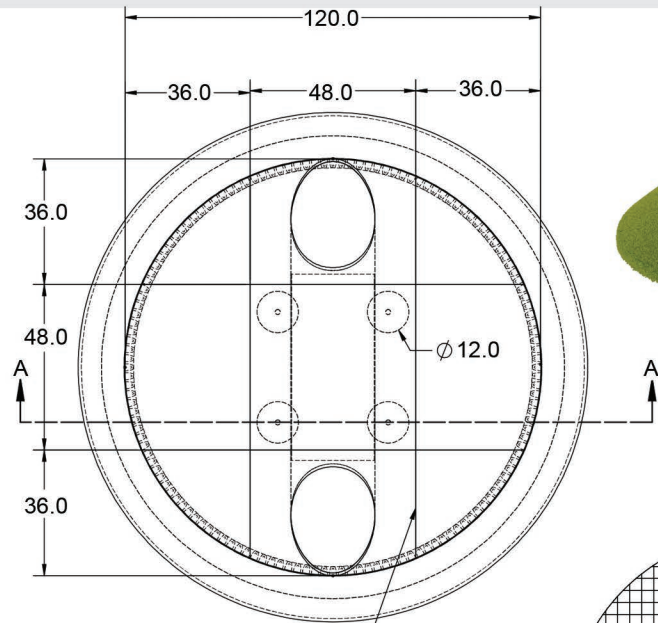


PlayMounds

Standard PlayMound with Tunnel – 10'

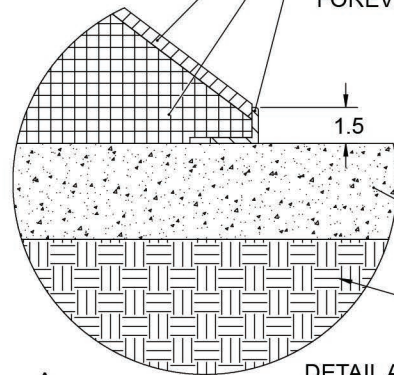


PlayMounds™ patent pending Layering System by ForeverLawn®

- EPP PROTECTIVE FOAM LAYER
- EPS GEO FOAM CORE
- HDPE NAILER FOR SECURING FOREVERLAWN TURF

GROUND ANCHORING SYSTEM

PLAYMOUND SECTIONS MUST BE GLUED TOGETHER USING GREAT STUFF PRO™



DETAIL A
SCALE 1:6

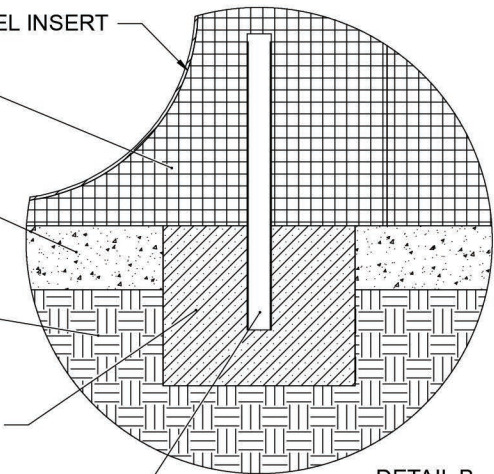
24" I.D. HDPE TUNNEL INSERT

EPS GEO FOAM CORE

4" OF CRUSHED STONE

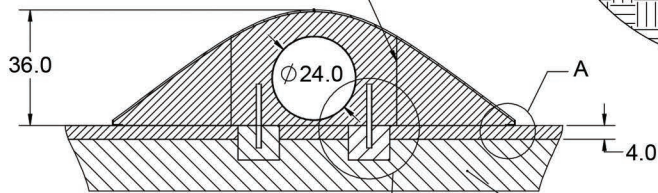
FILL DIRT

CONCRETE FOOTER



DETAIL B
SCALE 1:6

GALVANIZED STEEL POLE GLUED INTO GEO FOAM WITH URETHANE EXPANDABLE FOAM THEN SUNK INTO THE CONCRETE FOOTER



SECTION A-A

FILL DIRT

Units: Feet and inches

Material	Polystyrene
Covering	Turf (sold separately)
Weight	335 lb
Drawing No.	M1369 05/24