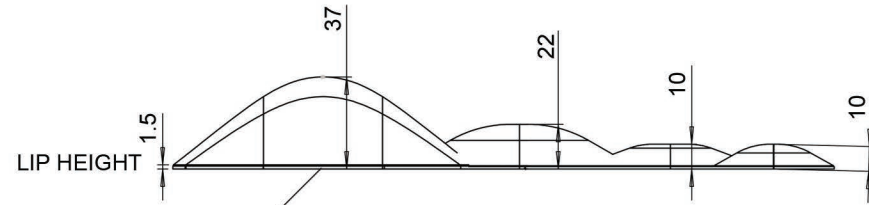
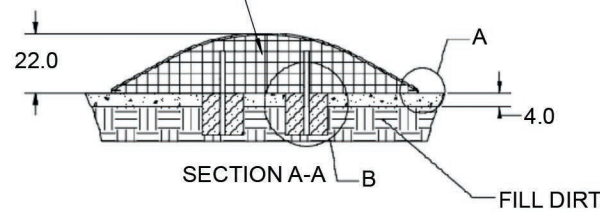


PlayMounds

Arc Stepper Right to Left

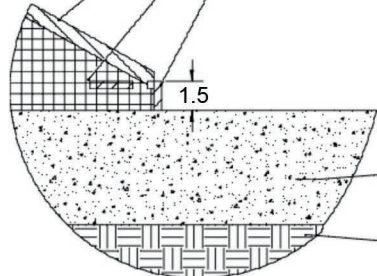


ALL MOUNDS HAVE THE SAME ANCHORING SET UP



PlayMounds™ patent pending Layering System by ForeverLawn®

- EPP PROTECTIVE FOAM LAYER
- EPS GEO FOAM CORE
- HDPE NAILER FOR SECURING FOREVERLAWN TURF



DETAIL A
SCALE 1:3

GROUND ANCHORING SYSTEM

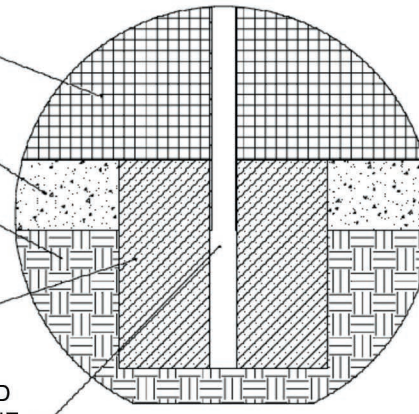
EPS GEO FOAM CORE

4" OF CRUSHED STONE

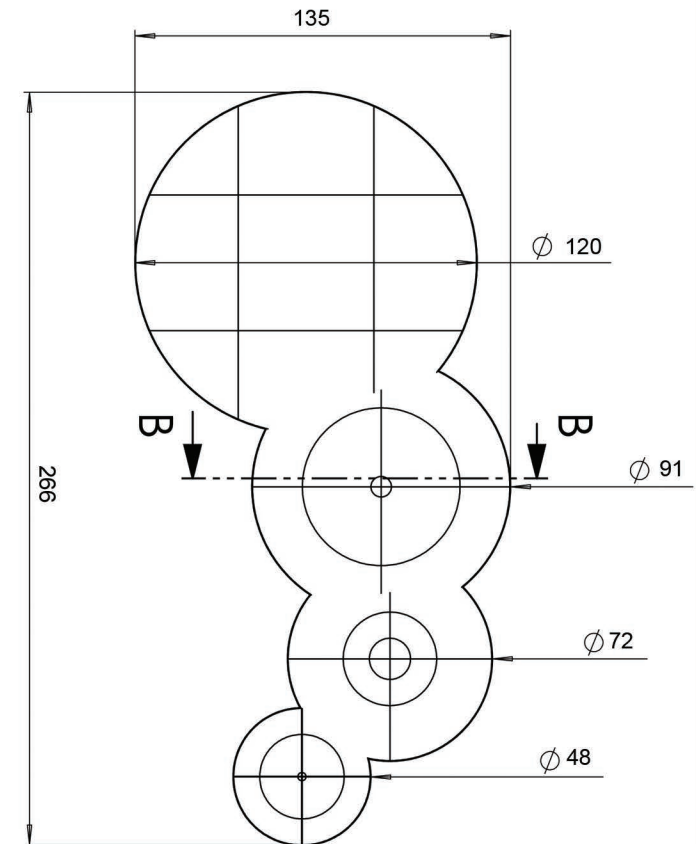
FILL DIRT

CONCRETE FOOTER

GALVANIZED STEEL POLE GLUED INTO GEO FOAM WITH URETHANE EXPANDABLE FOAM THEN SUNK INTO THE CONCRETE FOOTER



DETAIL B
SCALE 1:5



Units: Feet and inches

Material	Polystyrene	
Covering	Turf	
Weight		
Drawing No.	M1929	12/24