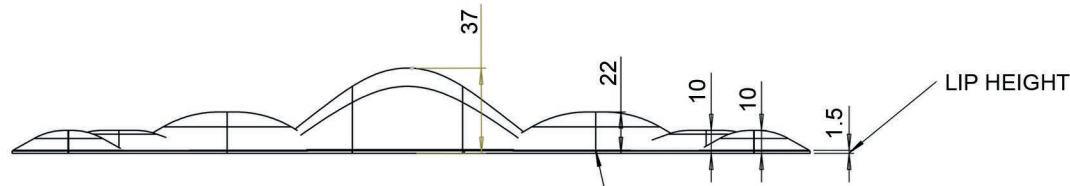
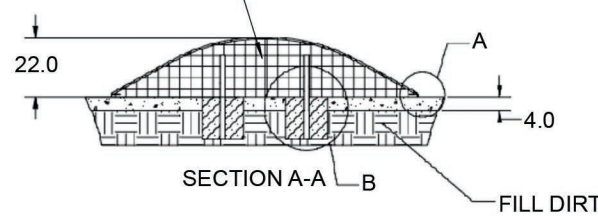


PlayMounds

Crescent Stepper



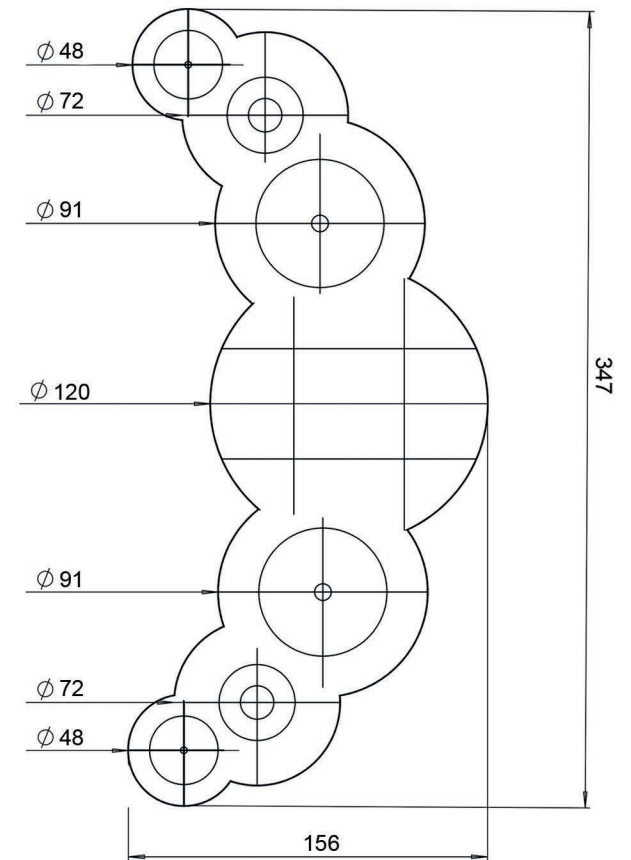
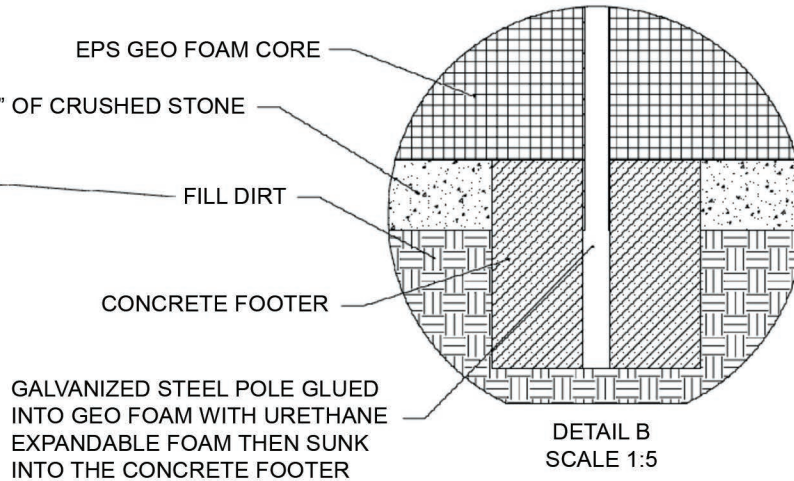
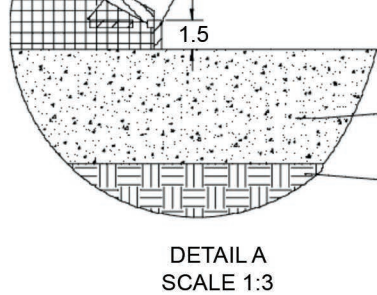
ALL MOUNDS HAVE THE SAME ANCHORING SET UP



PlayMounds™ patent pending Layering System by ForeverLawn®

- EPP PROTECTIVE FOAM LAYER
- EPS GEO FOAM CORE
- HDPE NAILER FOR SECURING FOREVERLAWN TURF

GROUND ANCHORING SYSTEM



Units: Feet and inches



330.499.8873 • foreverlawn.com
 8007 Beeson St., Louisville, OH 44641



microsite.caddetails.com/1148

Material	Polystyrene	
Covering	Turf	
Weight		
Drawing No.	M1932	12/24