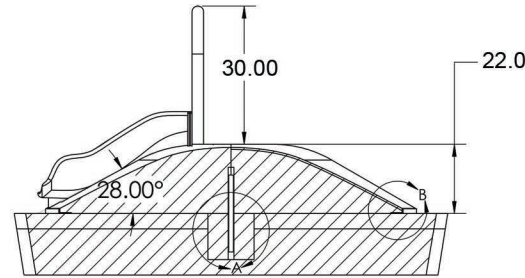
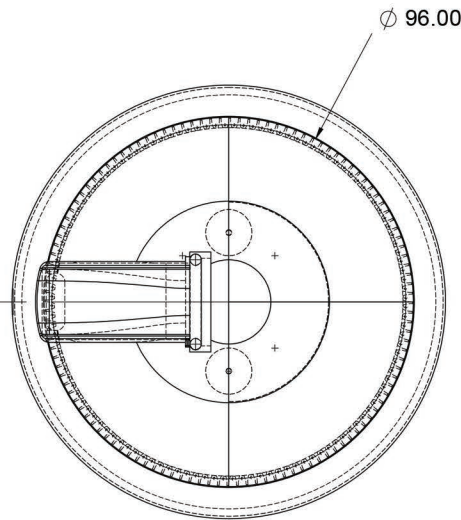
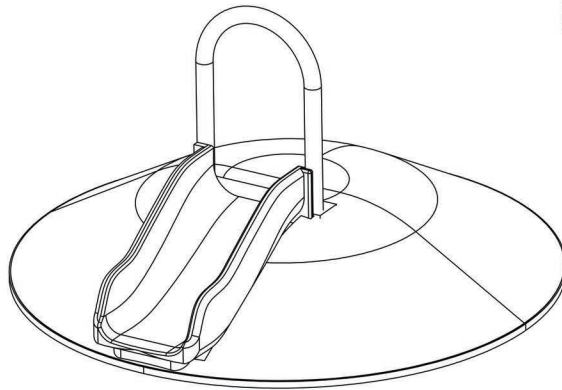


PlayMounds

Medium PlayMound with Slide – 8'

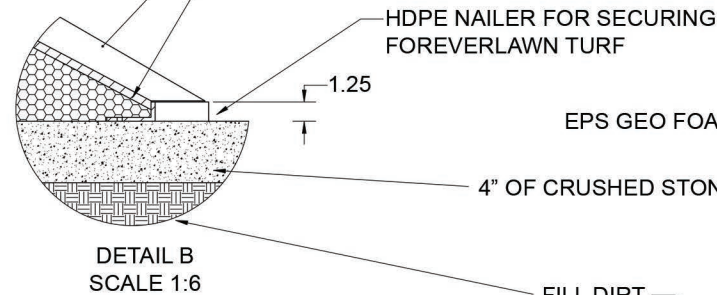


PLAYMOUND SECTIONS MUST BE GLUED TOGETHER USING GREAT STUFF PRO™



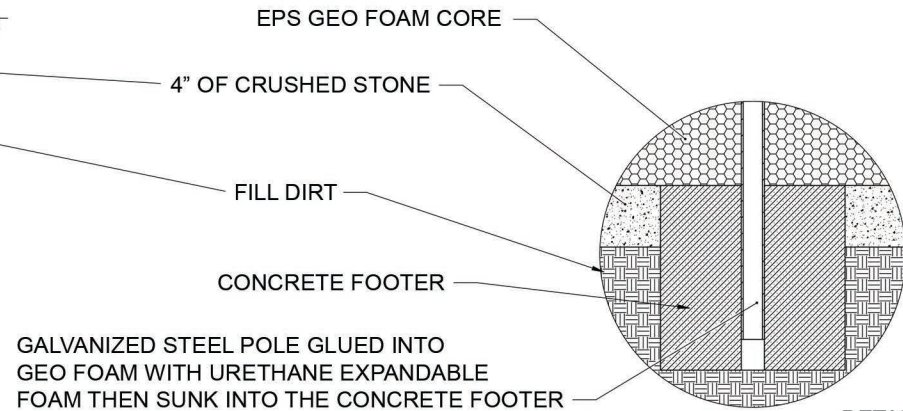
PlayMounds™ patent pending Layering System by ForeverLawn®

EPP PROTECTIVE FOAM LAYER
 EPS GEO FOAM CORE



DETAIL B
 SCALE 1:6

GROUND ANCHORING SYSTEM



DETAIL A
 SCALE 1:6

Material	Polystyrene
Covering	Turf (sold separately)
Weight	295 lb
Drawing No.	M1804
	12/24