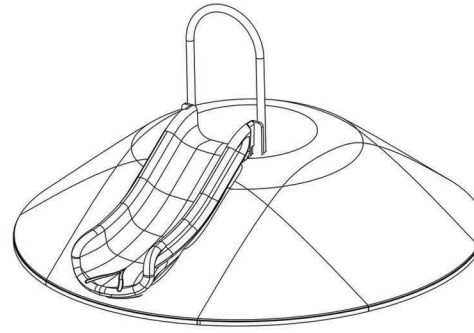
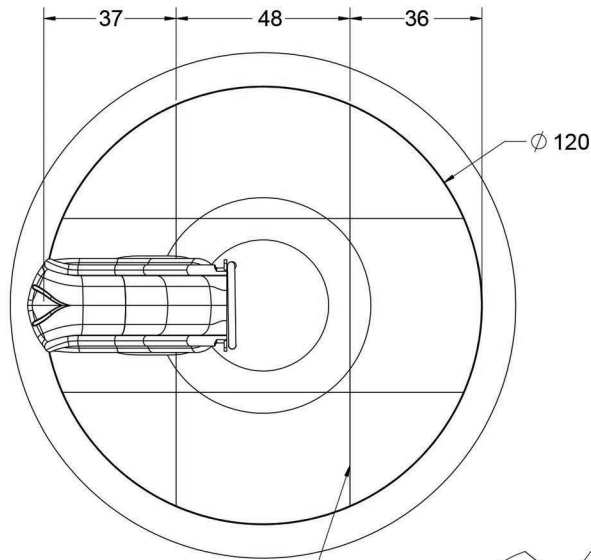


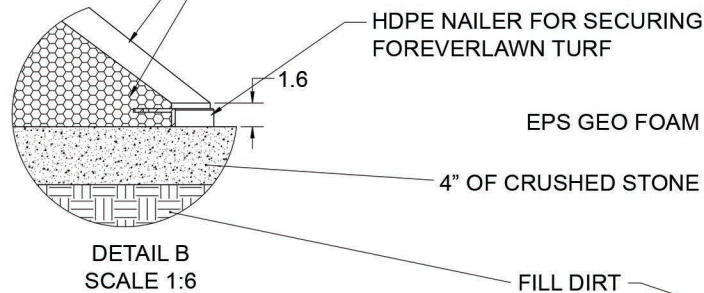
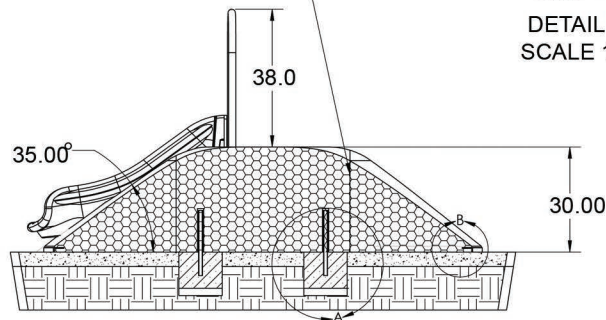
PlayMounds

Standard PlayMound with Slide – 10'

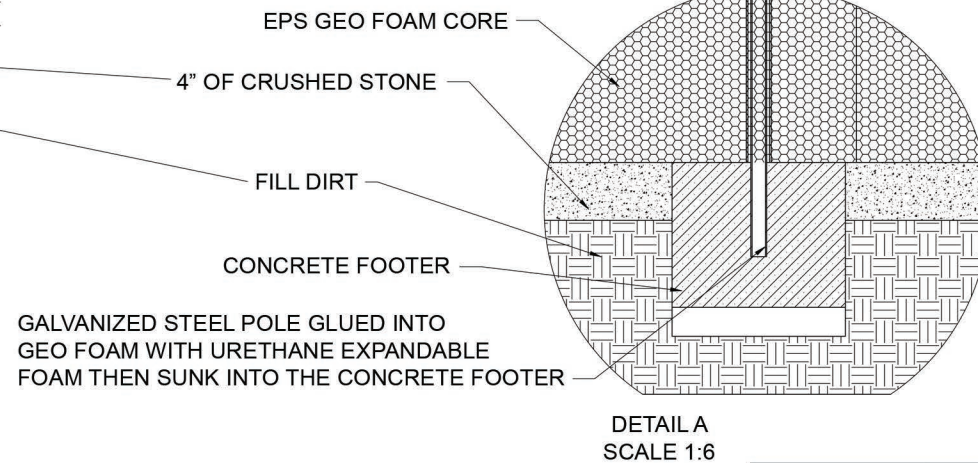


PlayMounds™ patent pending
Layering System by ForeverLawn®
 EPP PROTECTIVE FOAM LAYER
 EPS GEO FOAM CORE

PLAYMOUND SECTIONS
 MUST BE GLUED TOGETHER
 USING GREAT STUFF PRO™



GROUND ANCHORING SYSTEM



GALVANIZED STEEL POLE GLUED INTO
 GEO FOAM WITH URETHANE EXPANDABLE
 FOAM THEN SUNK INTO THE CONCRETE FOOTER

Units: Feet and inches



330.499.8873 • foreverlawn.com
 8007 Beeson St., Louisville, OH 44641



microsite.caddetails.com/1148

Material	Polystyrene	
Covering	Turf (sold separately)	
Weight	388 lb	
Drawing No.	M1805	12/24