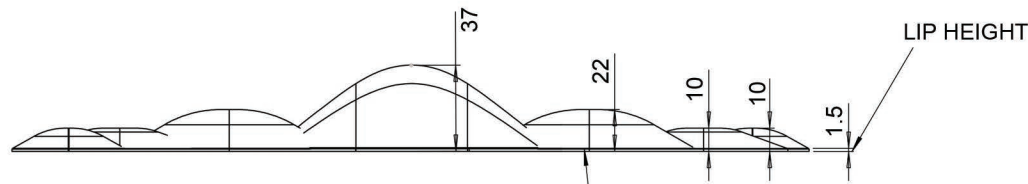
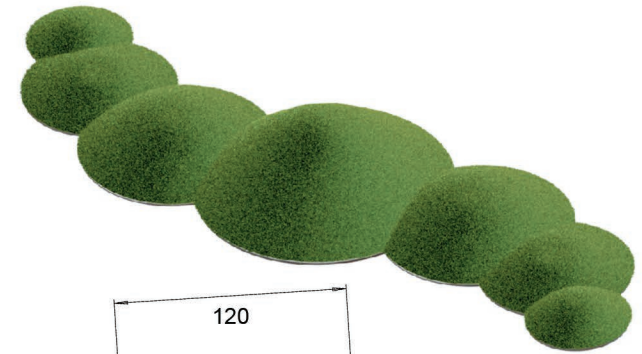


PlayMounds

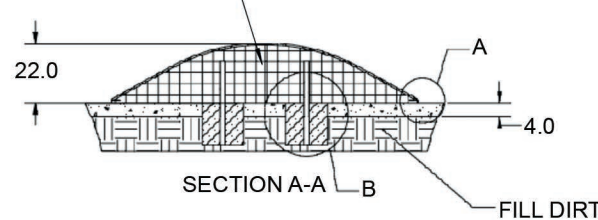
Zigzag Stepper "S"



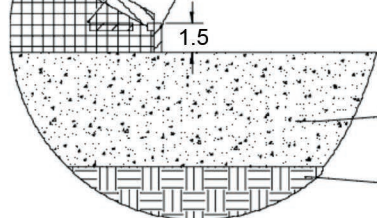
PlayMounds™ patent pending Layering System by ForeverLawn®

- EPP PROTECTIVE FOAM LAYER
- EPS GEO FOAM CORE
- HDPE NAILER FOR SECURING FOREVERLAWN TURF

ALL MOUNDS HAVE THE SAME ANCHORING SET UP

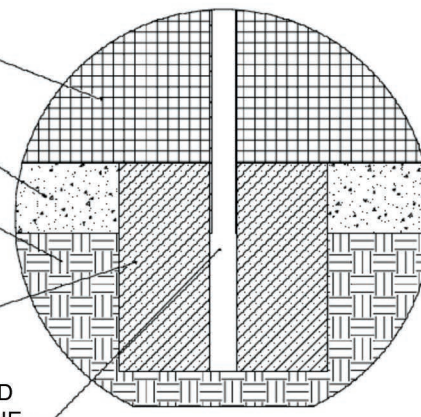


GROUND ANCHORING SYSTEM

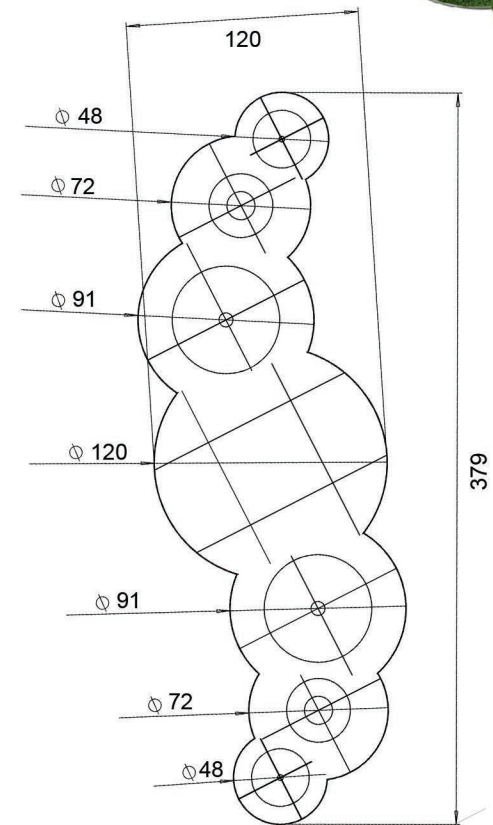


DETAIL A
SCALE 1:3

- EPS GEO FOAM CORE
- 4" OF CRUSHED STONE
- FILL DIRT



DETAIL B
SCALE 1:5



Units: Feet and inches

Material	Polystyrene	
Covering	Turf	
Weight		
Drawing No.	M1930	12/24