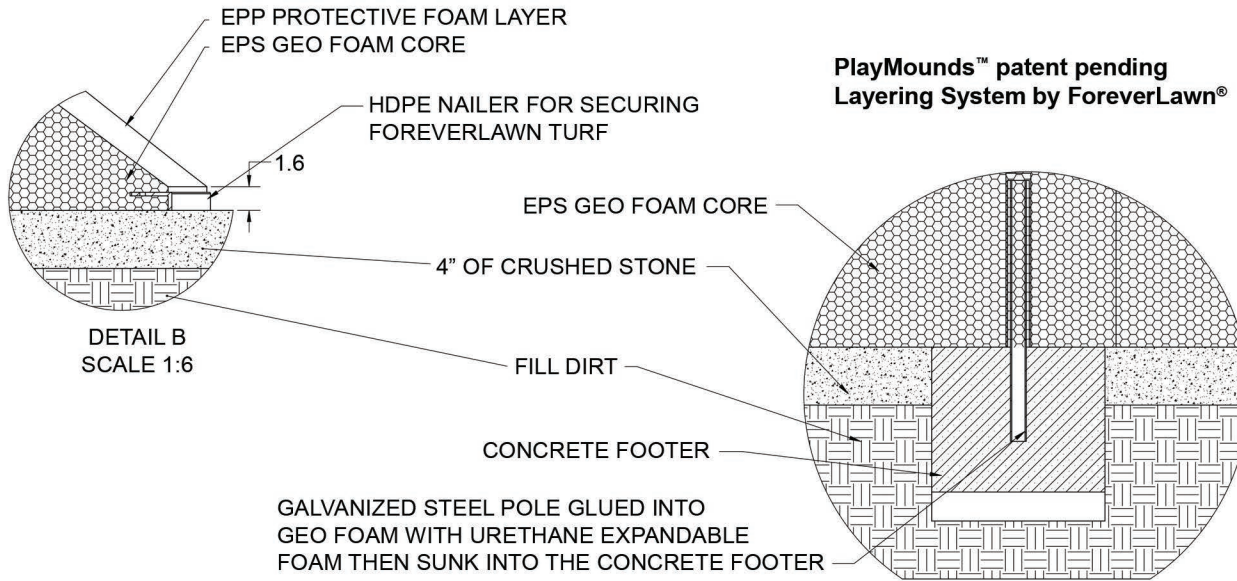


PlayMounds

Standard PlayMound with Slide – 10'

GROUND ANCHORING SYSTEM

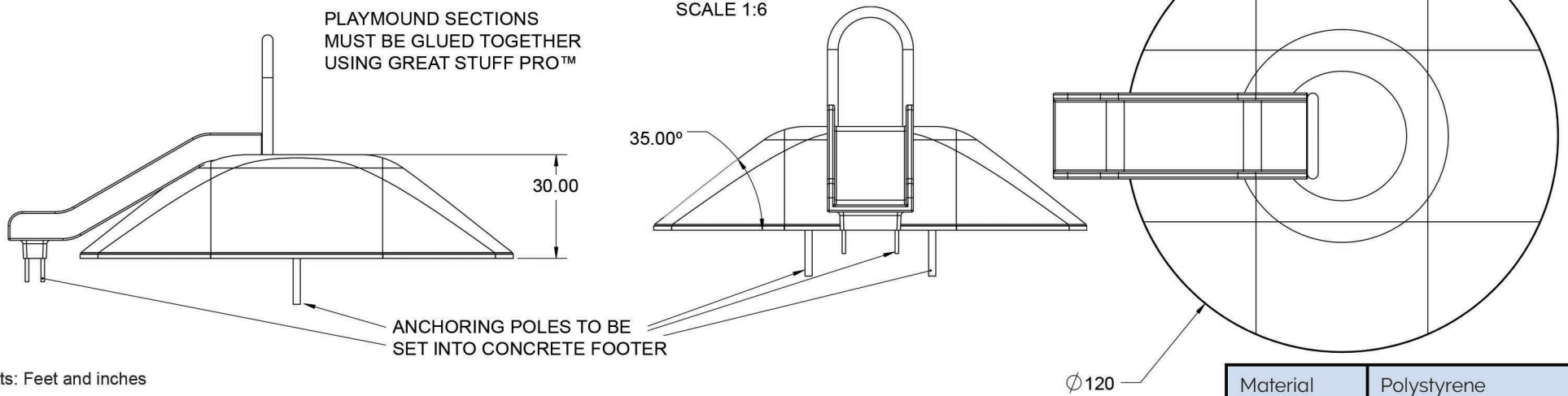


PlayMounds™ patent pending Layering System by ForeverLawn®



Slide available in yellow and blue

PLAYMOUND SECTIONS MUST BE GLUED TOGETHER USING GREAT STUFF PRO™



Units: Feet and inches



330.499.8873 • foreverlawn.com
 8007 Beeson St., Louisville, OH 44641



microsite.caddetails.com/1148

Material	Polystyrene	
Covering	Turf (sold separately)	
Weight	388 lb	
Drawing No.	M1805	01/25