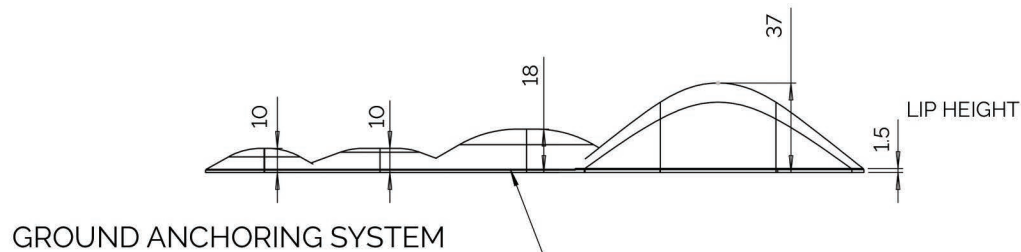


PlayMounds

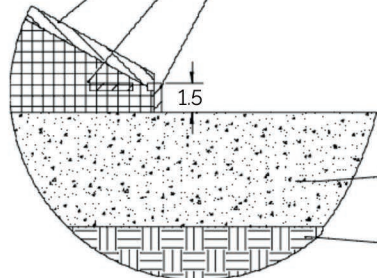
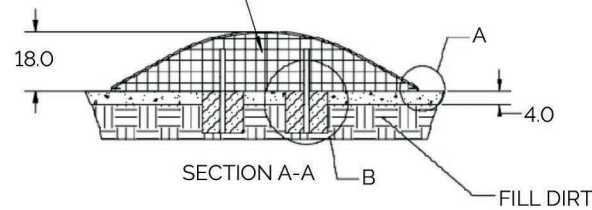
Arc Stepper Left to Right



ALL MOUNDS HAVE THE SAME ANCHORING SET UP

PlayMounds™ patent pending Layering System by ForeverLawn®

- EPP PROTECTIVE FOAM LAYER
- EPS GEO FOAM CORE
- HDPE NAILER FOR SECURING FOREVERLAWN TURF



DETAIL A SCALE 1:3

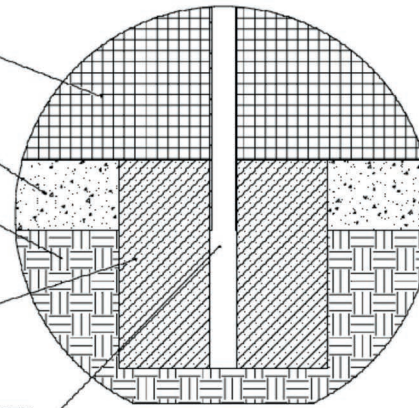
EPS GEO FOAM CORE

4" OF CRUSHED STONE

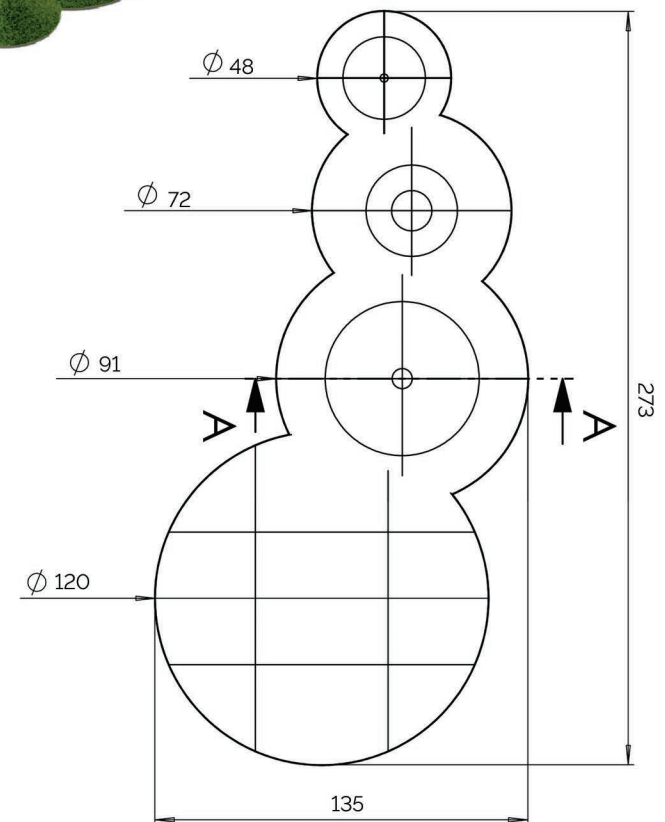
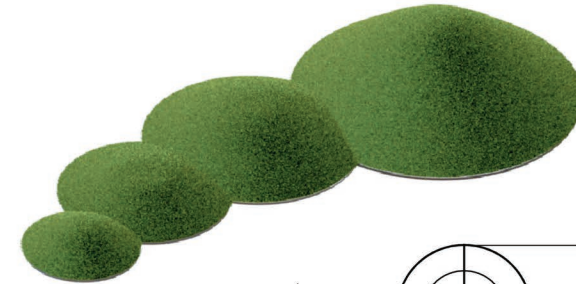
FILL DIRT

CONCRETE FOOTER

GALVANIZED STEEL POLE GLUED INTO GEO FOAM WITH URETHANE EXPANDABLE FOAM THEN SUNK INTO THE CONCRETE FOOTER



DETAIL B SCALE 1:5



UNITS: FEET AND INCHES



330.499.8873 • foreverlawn.com
 8007 Beeson St., Louisville, OH 44641



microsite.caddetails.com/1148

| | | |
|-------------|-------------|-------|
| Material | Polystyrene | |
| Covering | Turf | |
| Weight | | |
| Drawing No. | M1928 | 03/24 |