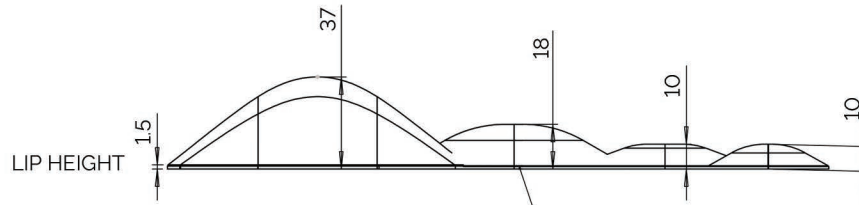


# PlayMounds

Arc Stepper Right to Left

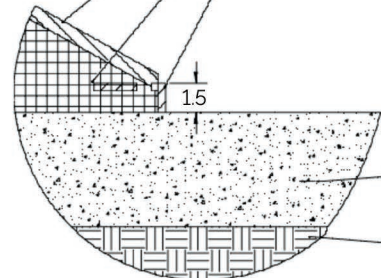
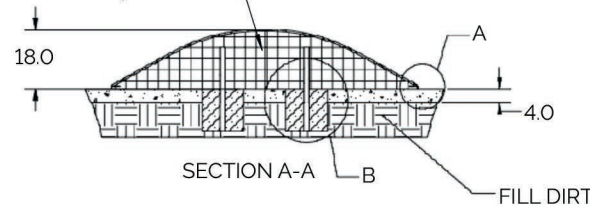


GROUND ANCHORING SYSTEM

ALL MOUNDS HAVE THE SAME ANCHORING SET UP

PlayMounds™ patent pending Layering System by ForeverLawn®

- EPP PROTECTIVE FOAM LAYER
- EPS GEO FOAM CORE
- HDPE NAILER FOR SECURING FOREVERLAWN TURF



DETAIL A  
SCALE 1:3

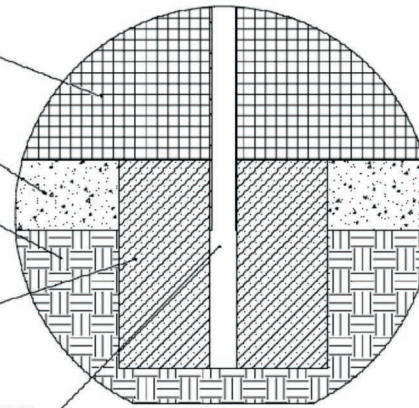
EPS GEO FOAM CORE

4" OF CRUSHED STONE

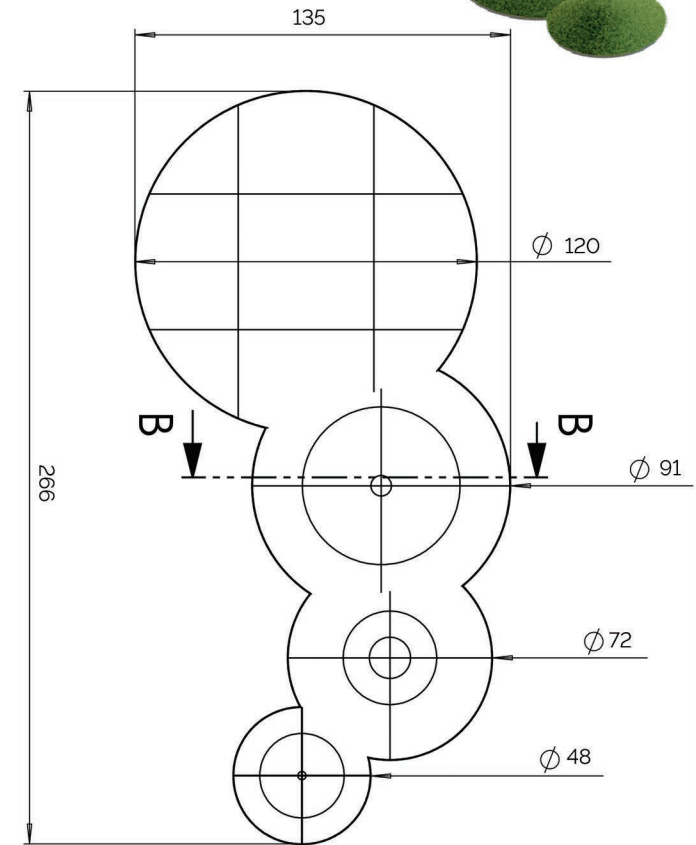
FILL DIRT

CONCRETE FOOTER

GALVANIZED STEEL POLE GLUED INTO GEO FOAM WITH URETHANE EXPANDABLE FOAM THEN SUNK INTO THE CONCRETE FOOTER



DETAIL B  
SCALE 1:5



UNITS: FEET AND INCHES

Material	Polystyrene	
Covering	Turf	
Weight		
Drawing No.	M1929	03/24