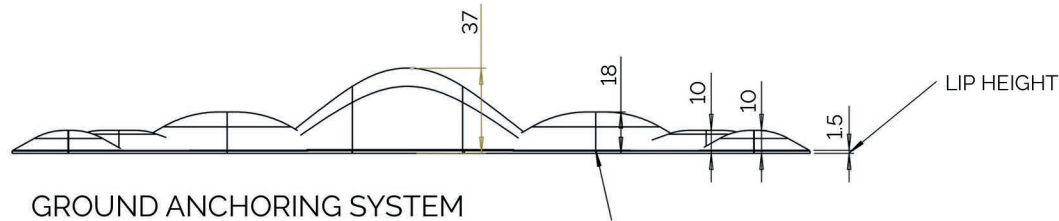


# PlayMounds

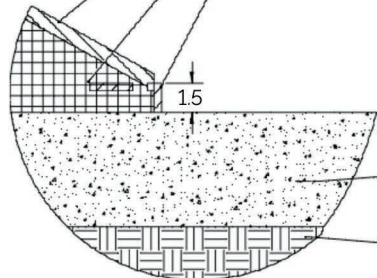
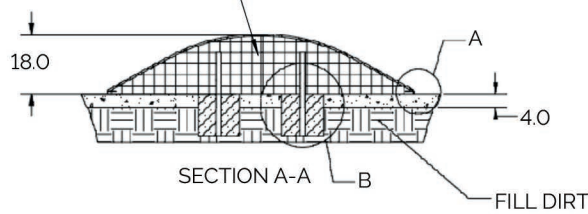
Crescent Stepper



ALL MOUNDS HAVE THE SAME ANCHORING SET UP

PlayMounds™ patent pending Layering System by ForeverLawn®

- EPP PROTECTIVE FOAM LAYER
- EPS GEO FOAM CORE
- HDPE NAILER FOR SECURING FOREVERLAWN TURF



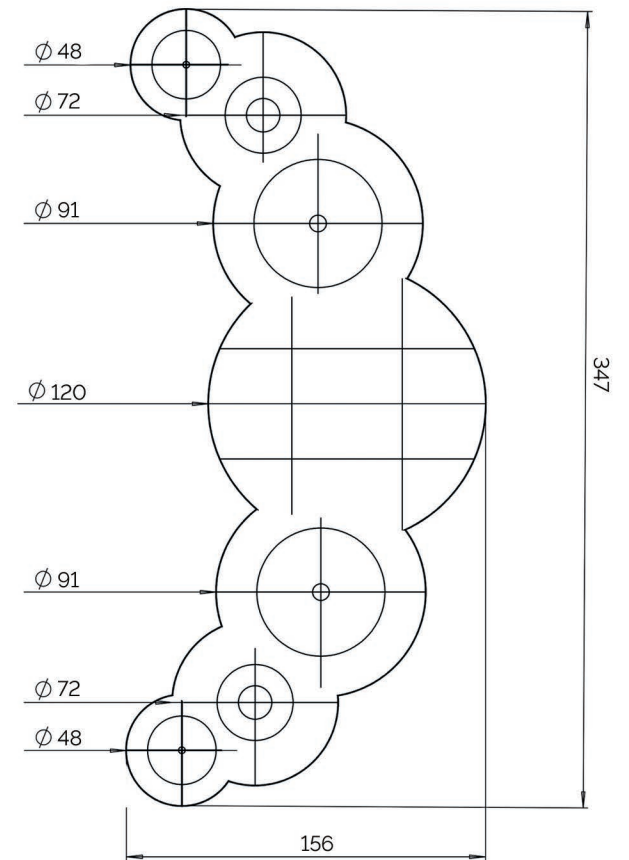
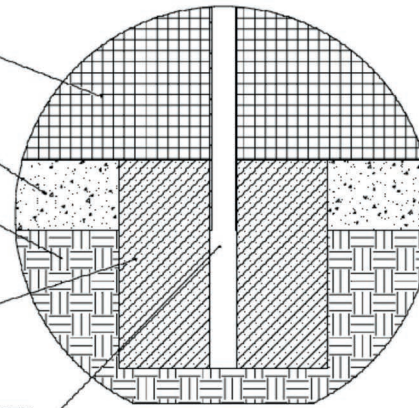
EPS GEO FOAM CORE

4" OF CRUSHED STONE

FILL DIRT

CONCRETE FOOTER

GALVANIZED STEEL POLE GLUED INTO GEO FOAM WITH URETHANE EXPANDABLE FOAM THEN SUNK INTO THE CONCRETE FOOTER



UNITS: FEET AND INCHES



330.499.8873 • foreverlawn.com  
 8007 Beeson St., Louisville, OH 44641



[microsite.caddetails.com/1148](http://microsite.caddetails.com/1148)

Material	Polystyrene	
Covering	Turf	
Weight		
Drawing No.	M1932	03/24