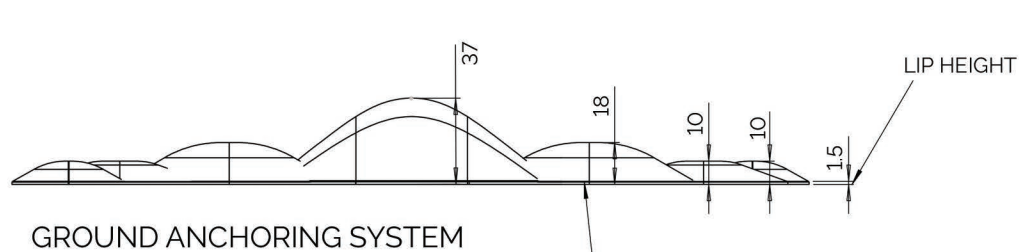
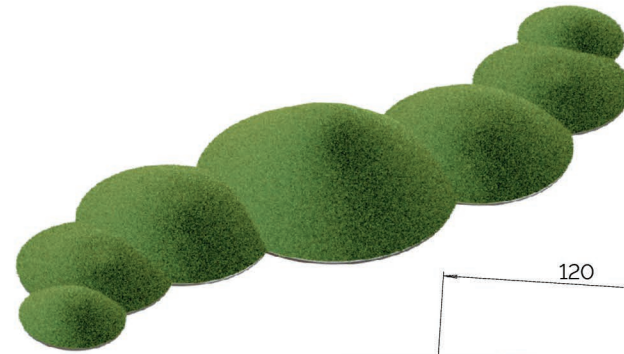


PlayMounds

Zigzag Stepper "Z"

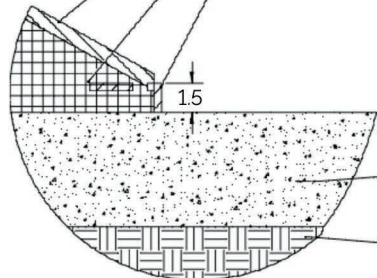
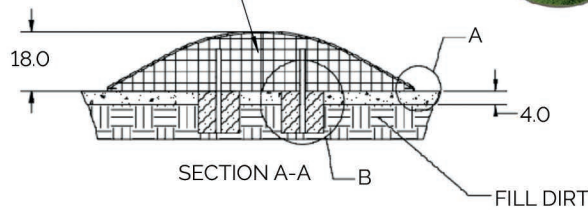


ALL MOUNDS HAVE THE SAME ANCHORING SET UP



PlayMounds™ patent pending Layering System by ForeverLawn®

- EPP PROTECTIVE FOAM LAYER
- EPS GEO FOAM CORE
- HDPE NAILER FOR SECURING FOREVERLAWN TURF



DETAIL A SCALE 1:3

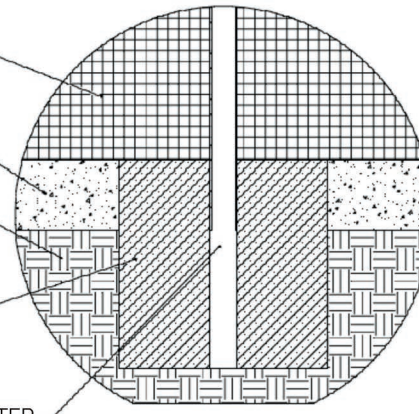
EPS GEO FOAM CORE

4" OF CRUSHED STONE

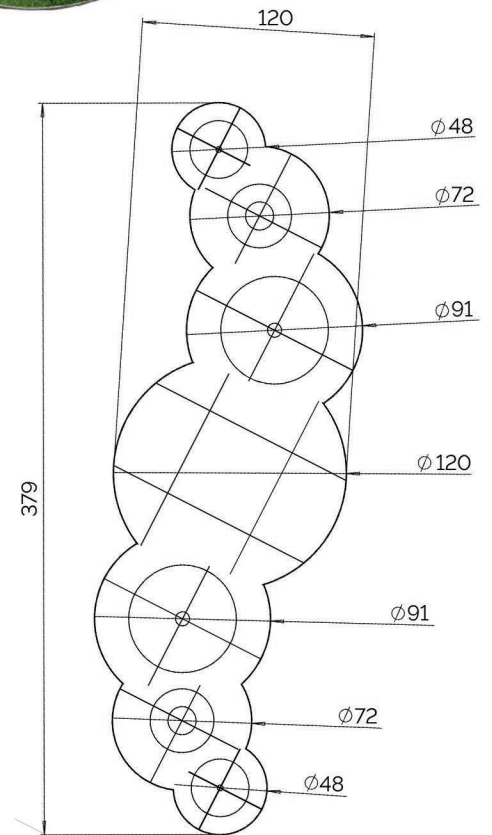
FILL DIRT

CONCRETE FOOTER

GALVANIZED STEEL POLE GLUED INTO GEO FOAM WITH URETHANE EXPANDABLE FOAM THEN SUNK INTO THE CONCRETE FOOTER



DETAIL B SCALE 1:5



UNITS: FEET AND INCHES

Material	Polystyrene	
Covering	Turf	
Weight		
Drawing No.	M1931	03/24