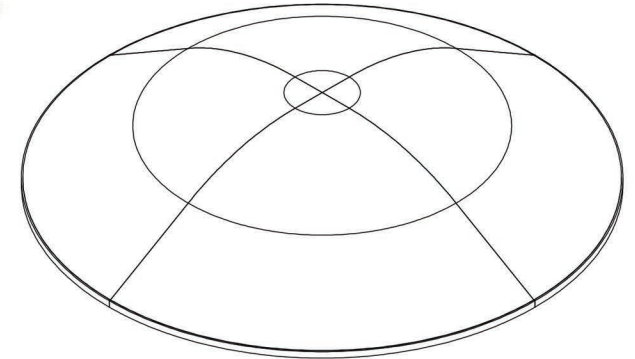
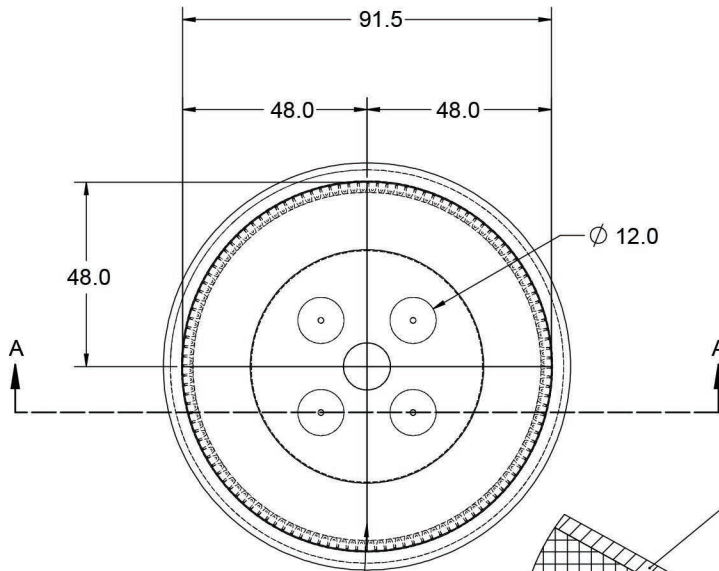


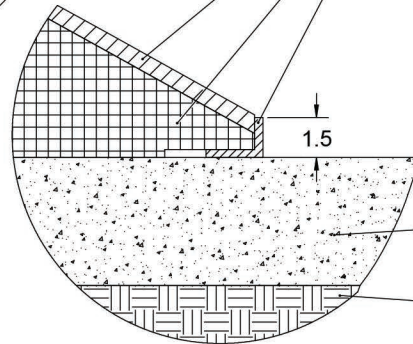
PlayMounds

Medium PlayMound – 8'



PlayMounds™ patent pending Layering System by ForeverLawn®
 EPP PROTECTIVE FOAM LAYER
 EPS GEO FOAM CORE
 HDPE NAILER FOR SECURING FOREVERLAWN TURF

PLAYMOUND SECTIONS MUST BE GLUED TOGETHER USING GREAT STUFF PRO™



DETAIL A
SCALE 1:3

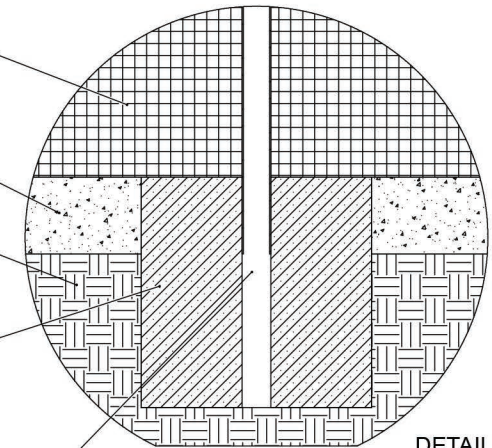
GROUND ANCHORING SYSTEM

EPS GEO FOAM CORE

4" OF CRUSHED STONE

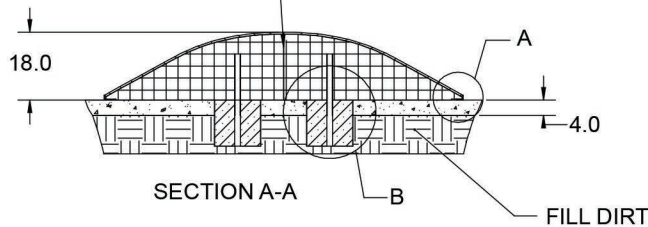
FILL DIRT

CONCRETE FOOTER



DETAIL B
SCALE 1:5

GALVANIZED STEEL POLE GLUED INTO GEO FOAM WITH URETHANE EXPANDABLE FOAM THEN SUNK INTO THE CONCRETE FOOTER



SECTION A-A

Units: Feet and inches

Material	Polystyrene
Covering	Turf (sold separately)
Weight	54 lb (100 lb turfed)
Drawing No.	M1537
	04/26