

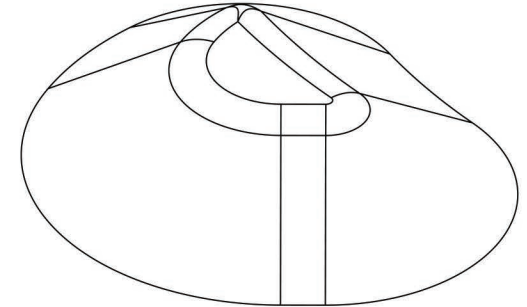
# PlayMounds

Adventure Island PlayMound

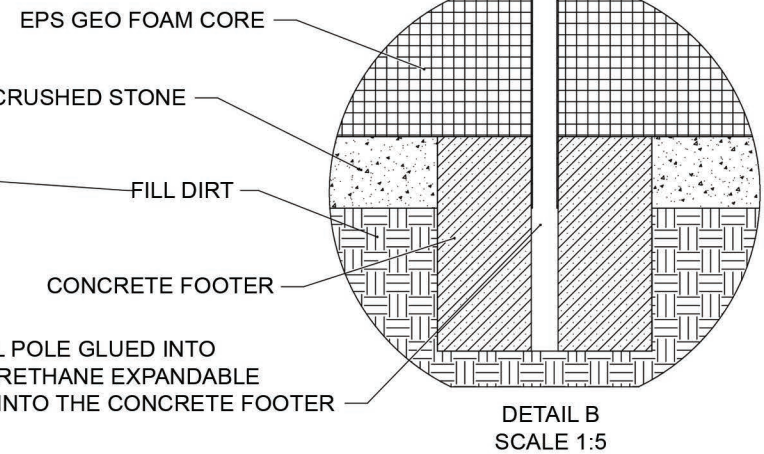
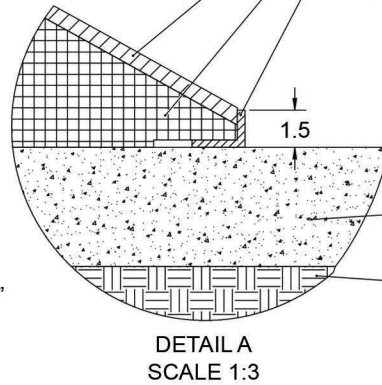
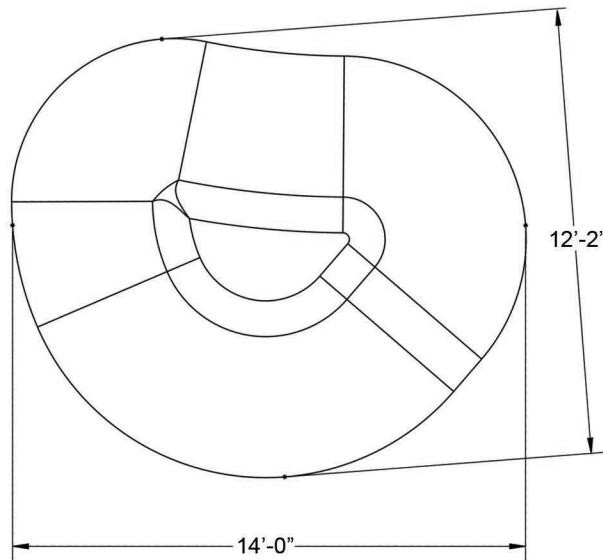


**PlayMounds™ Patented Layering System by ForeverLawn®**

- EPP PROTECTIVE FOAM LAYER
- EPS GEO FOAM CORE
- HDPE NAILER FOR SECURING FOREVERLAWN TURF

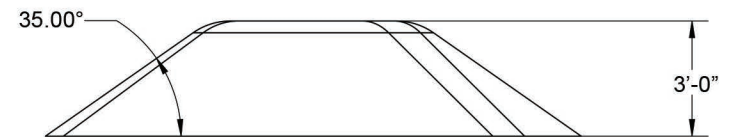
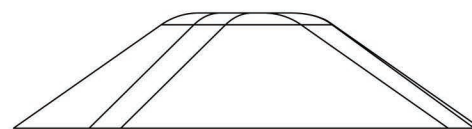


**GROUND ANCHORING SYSTEM**



GALVANIZED STEEL POLE GLUED INTO GEO FOAM WITH URETHANE EXPANDABLE FOAM THEN SUNK INTO THE CONCRETE FOOTER

PLAYMOUND SECTIONS  
MUST BE GLUED TOGETHER  
USING GREAT STUFF PRO™



Units: Feet and inches



330.499.8873 • foreverlawn.com  
 8007 Beeson St., Louisville, OH 44641



microsite.caddetails.com/1148

Material	Polystyrene
Covering	Turf (sold separately)
Weight	575 lb
Drawing No.	M1693 05/26