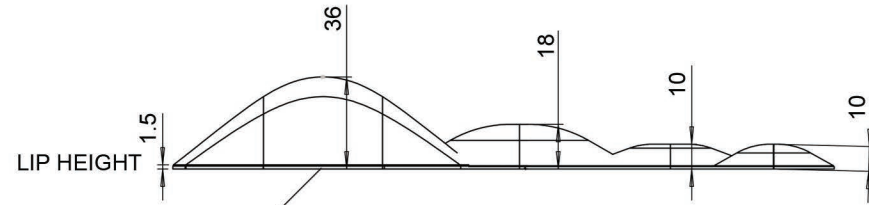
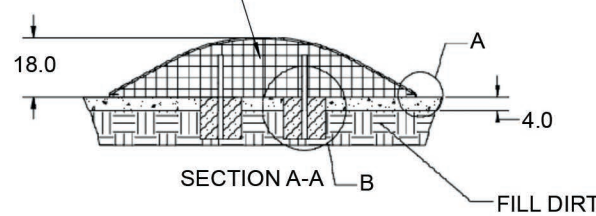


PlayMounds

Arc Stepper Right to Left

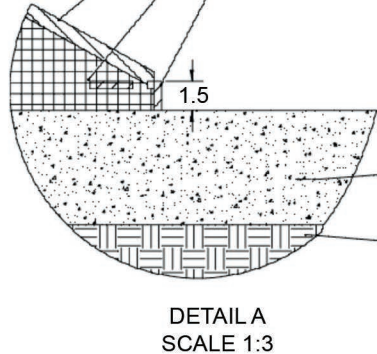


ALL MOUNDS HAVE THE SAME ANCHORING SET UP



PlayMounds™ Patented Layering System by ForeverLawn®

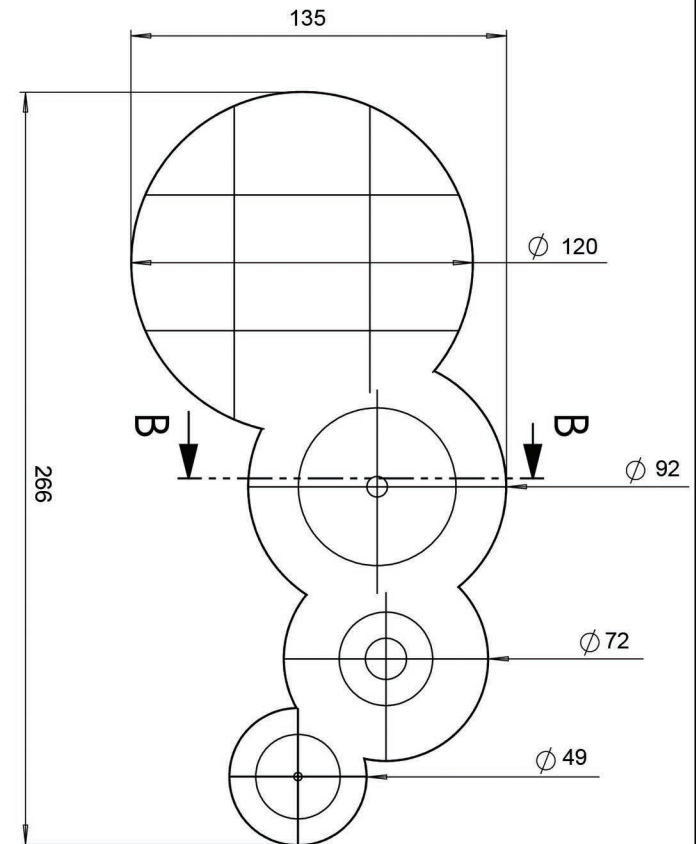
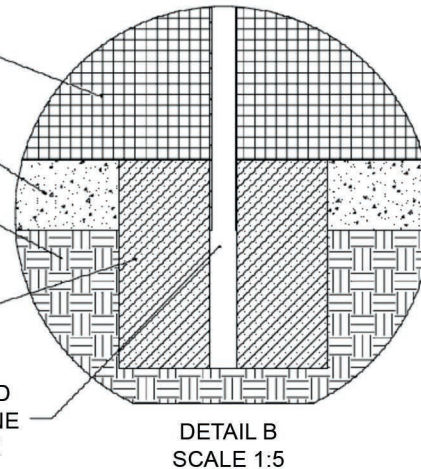
- EPP PROTECTIVE FOAM LAYER
- EPS GEO FOAM CORE
- HDPE NAILER FOR SECURING FOREVERLAWN TURF



GROUND ANCHORING SYSTEM

- EPS GEO FOAM CORE
- 4" OF CRUSHED STONE
- FILL DIRT
- CONCRETE FOOTER

GALVANIZED STEEL POLE GLUED INTO GEO FOAM WITH URETHANE EXPANDABLE FOAM THEN SUNK INTO THE CONCRETE FOOTER



Units: Feet and inches



330.499.8873 • foreverlawn.com
 8007 Beeson St., Louisville, OH 44641



microsite.caddetails.com/1148

Material	Polystyrene	
Covering	Turf	
Weight		
Drawing No.	M1929	05/26