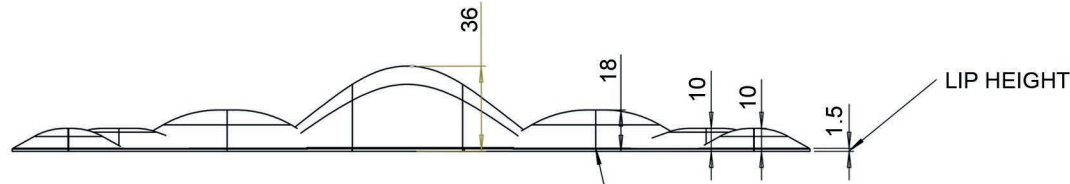
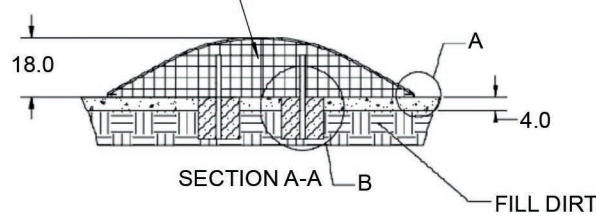


# PlayMounds

Crescent Stepper

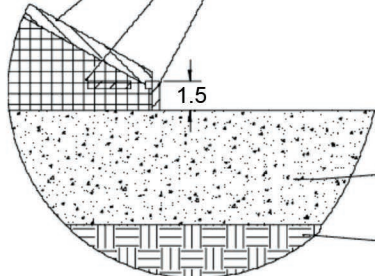


ALL MOUNDS HAVE THE SAME ANCHORING SET UP



**PlayMounds™ Patented Layering System by ForeverLawn®**

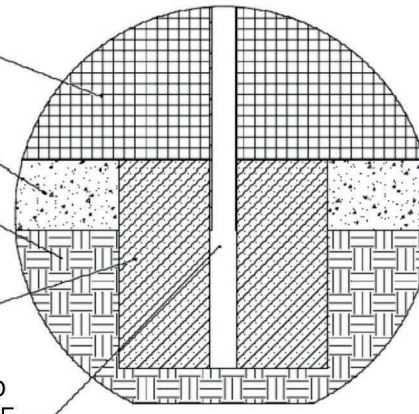
- EPP PROTECTIVE FOAM LAYER
- EPS GEO FOAM CORE
- HDPE NAILER FOR SECURING FOREVERLAWN TURF



DETAIL A  
SCALE 1:3

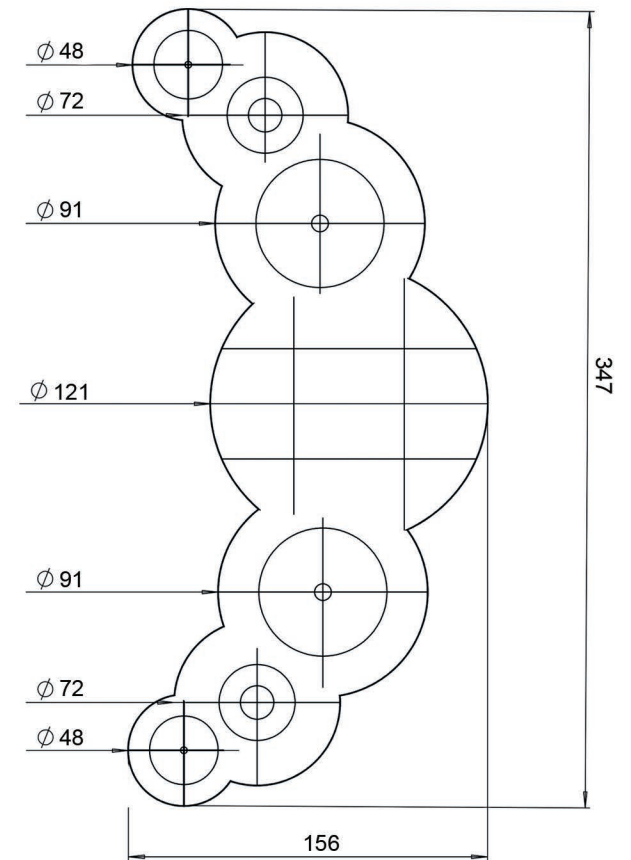
**GROUND ANCHORING SYSTEM**

- EPS GEO FOAM CORE
- 4" OF CRUSHED STONE
- FILL DIRT



DETAIL B  
SCALE 1:5

GALVANIZED STEEL POLE GLUED INTO GEO FOAM WITH URETHANE EXPANDABLE FOAM THEN SUNK INTO THE CONCRETE FOOTER



Units: Feet and inches



330.499.8873 • foreverlawn.com  
 8007 Beeson St., Louisville, OH 44641



microsite.caddetails.com/1148

|             |             |       |
|-------------|-------------|-------|
| Material    | Polystyrene |       |
| Covering    | Turf        |       |
| Weight      |             |       |
| Drawing No. | M1932       | 05/26 |