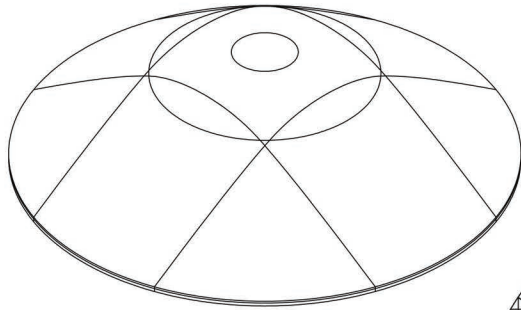
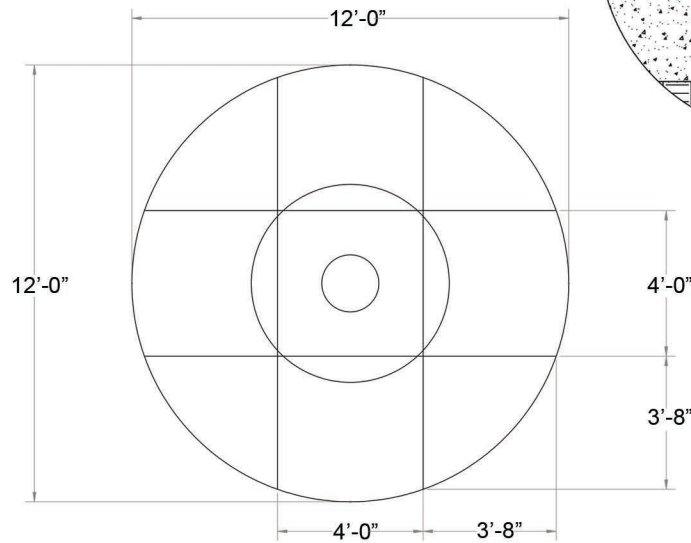


PlayMounds

Large PlayMound – 12'

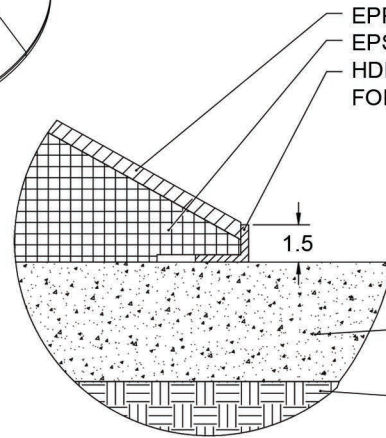


PLAYMOUND SECTIONS
 MUST BE GLUED TOGETHER
 USING GREAT STUFF PRO™



PlayMounds™ Patented Layering System by ForeverLawn®

- EPP PROTECTIVE FOAM LAYER
- EPS GEO FOAM CORE
- HDPE NAILER FOR SECURING FOREVERLAWN TURF

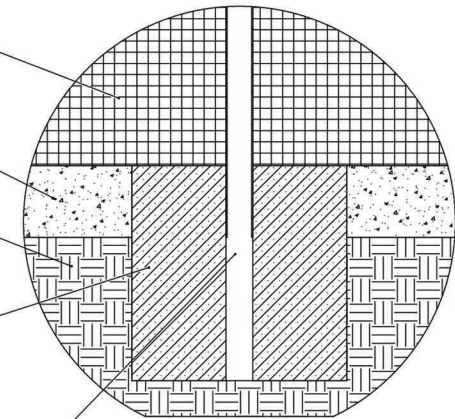


DETAIL A
 SCALE 1:3



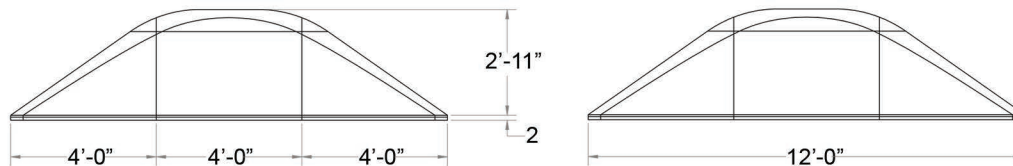
GROUND ANCHORING SYSTEM

- EPS GEO FOAM CORE
- 4" OF CRUSHED STONE
- FILL DIRT
- CONCRETE FOOTER



DETAIL B
 SCALE 1:5

GALVANIZED STEEL POLE GLUED INTO
 GEO FOAM WITH URETHANE EXPANDABLE
 FOAM THEN SUNK INTO THE CONCRETE FOOTER



Units: Feet and inches



330.499.8873 • foreverlawn.com
 8007 Beeson St., Louisville, OH 44641



microsite.caddetails.com/1148

Material	Polystyrene
Covering	Turf (sold separately)
Weight	350 lb
Drawing No.	M1691
	05/26