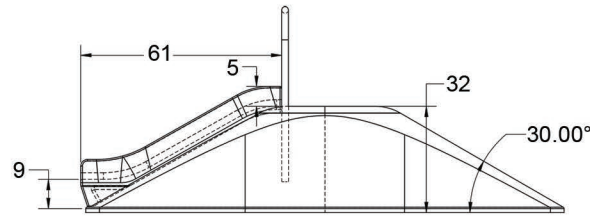
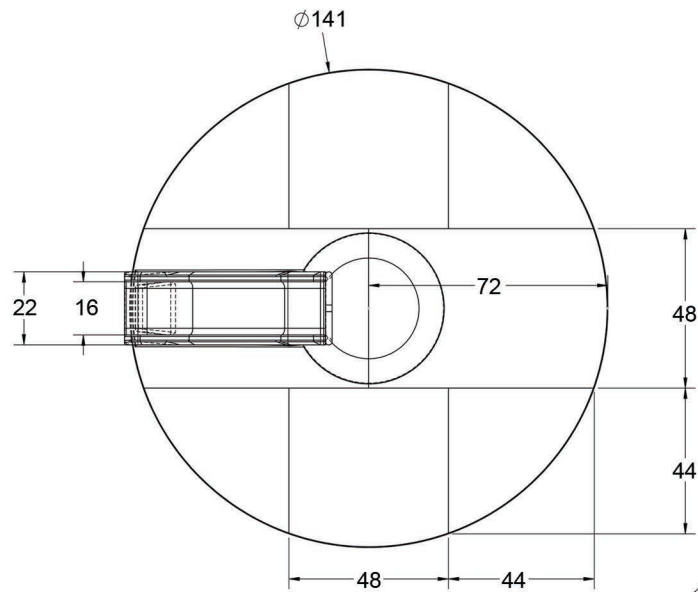


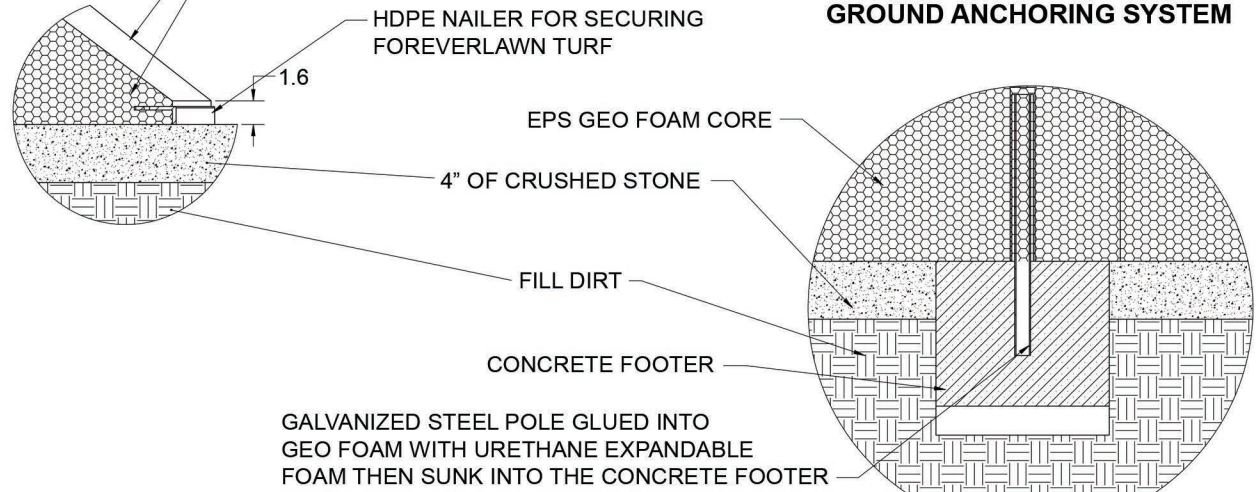
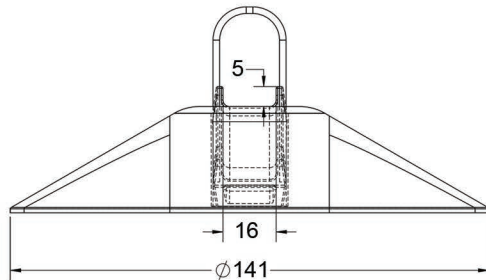
PlayMounds

Large PlayMound with Slide – 12'



PlayMounds™ Patented Layering System by ForeverLawn®
 EPP PROTECTIVE FOAM LAYER
 EPS GEO FOAM CORE

PLAYMOUND SECTIONS
 MUST BE GLUED TOGETHER
 USING GREAT STUFF PRO™



Units: Feet and inches



330.499.8873 • foreverlawn.com
 8007 Beeson St., Louisville, OH 44641



microsite.caddetails.com/1148

Material	Polystyrene
Covering	Turf (sold separately)
Weight	520 lb
Drawing No.	M2152
	05/26