

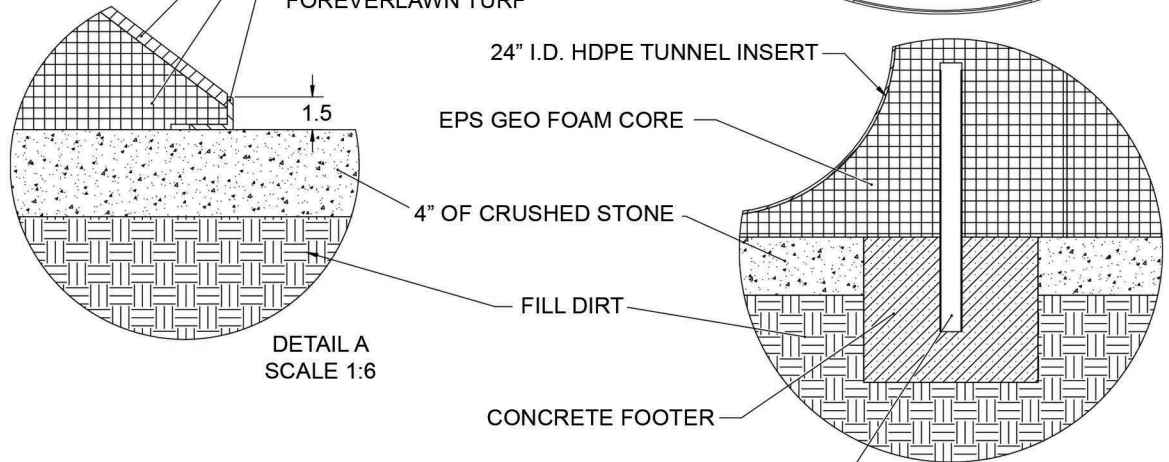
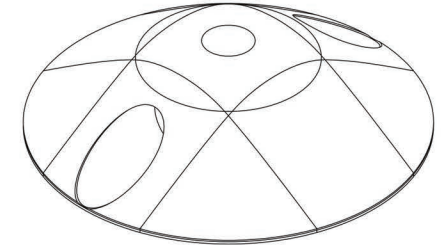
PlayMounds

Large PlayMound with Tunnel – 12'



GROUND ANCHORING SYSTEM

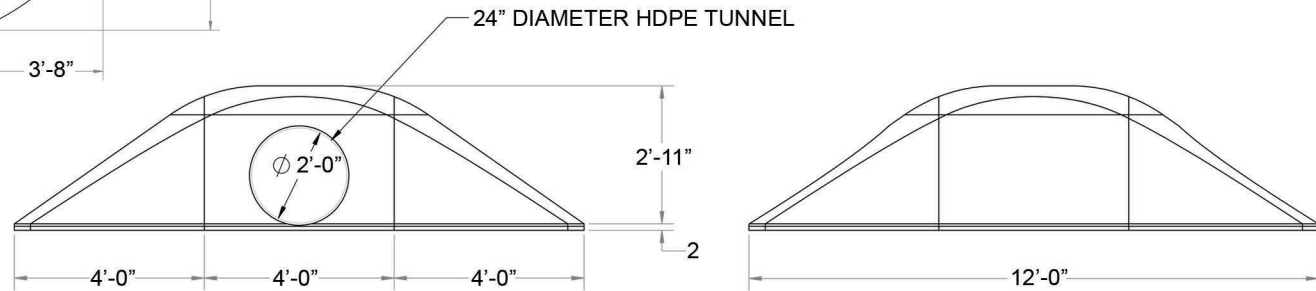
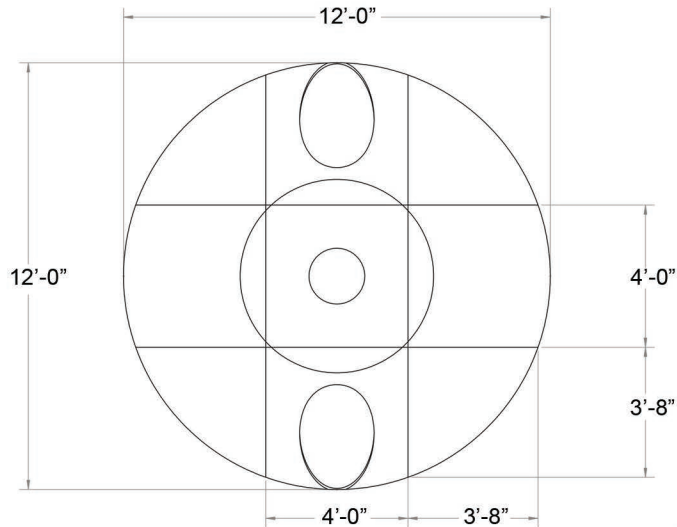
PlayMounds™ Patented Layering System by ForeverLawn®
 EPP PROTECTIVE FOAM LAYER
 EPS GEO FOAM CORE
 HDPE NAILER FOR SECURING FOREVERLAWN TURF



DETAIL A
SCALE 1:6

DETAIL B
SCALE 1:6

GALVANIZED STEEL POLE GLUED INTO GEO FOAM WITH URETHANE EXPANDABLE FOAM THEN SUNK INTO THE CONCRETE FOOTER



PLAYMOUND SECTIONS
MUST BE GLUED TOGETHER
USING GREAT STUFF PRO™

Units: Feet and inches



330.499.8873 • foreverlawn.com
 8007 Beeson St., Louisville, OH 44641



microsite.caddetails.com/1148

Material	Polystyrene
Covering	Turf (sold separately)
Weight	360 lb
Drawing No.	M1692
	05/26