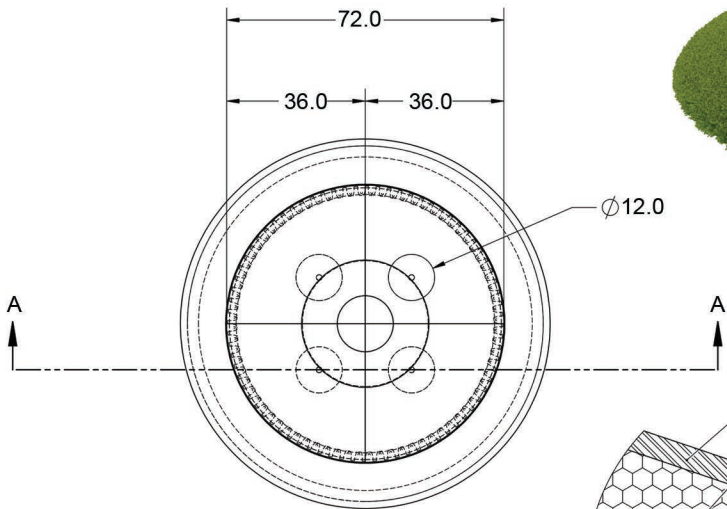
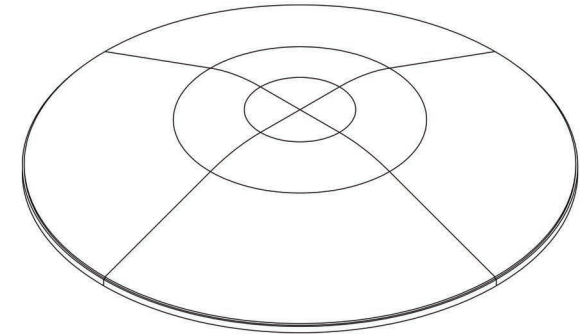


PlayMounds

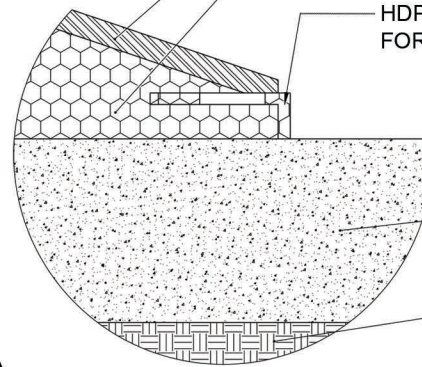
Medium PlayMound – 6'



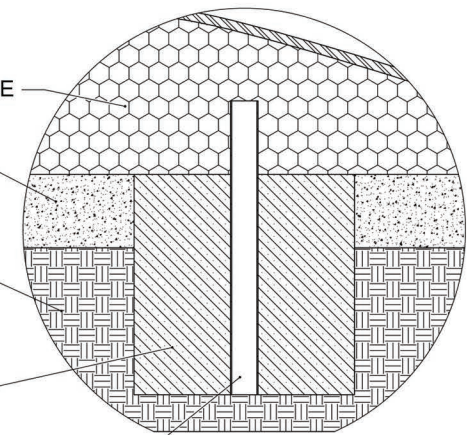
PlayMounds™ Patented Layering System by ForeverLawn®

- EPP PROTECTIVE FOAM LAYER
- EPS GEO FOAM CORE
- HDPE NAILER FOR SECURING FOREVERLAWN TURF

GROUND ANCHORING SYSTEM



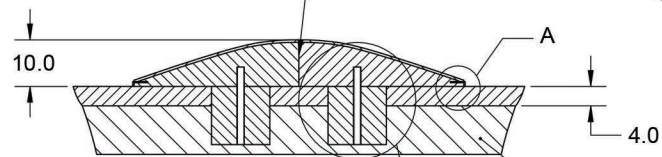
DETAIL A
SCALE 1:2



DETAIL B
SCALE 1:5

GALVANIZED STEEL POLE GLUED INTO GEO FOAM WITH URETHANE EXPANDABLE FOAM THEN SUNK INTO THE CONCRETE FOOTER

PLAYMOUND SECTIONS MUST BE GLUED TOGETHER USING GREAT STUFF PRO™



SECTION A-A

FILL DIRT

Material	Polystyrene
Covering	Turf (sold separately)
Weight	251.5 lb
Drawing No.	M1819
	05/26