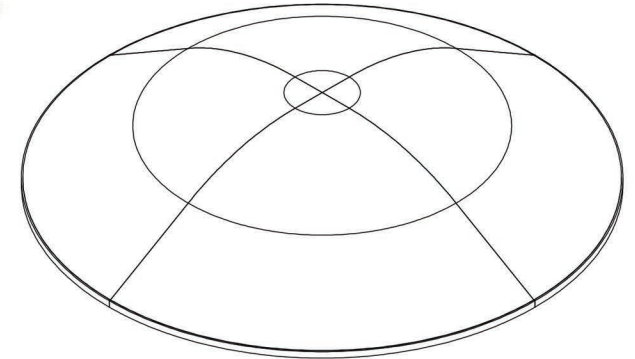
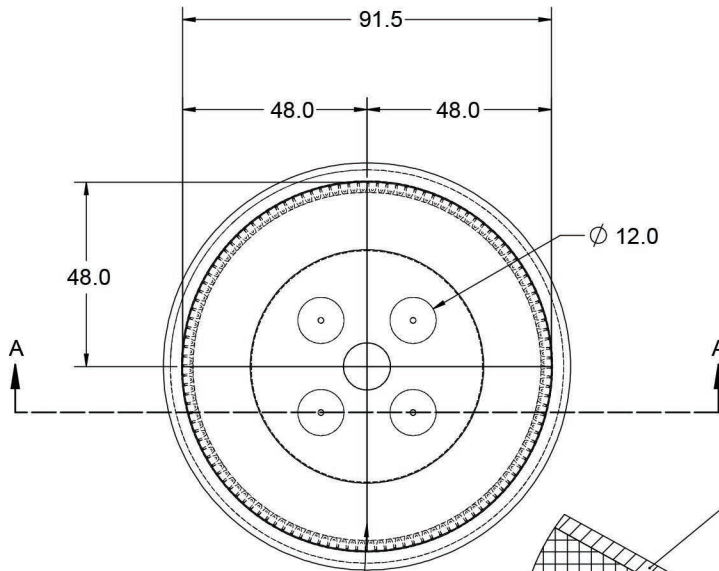


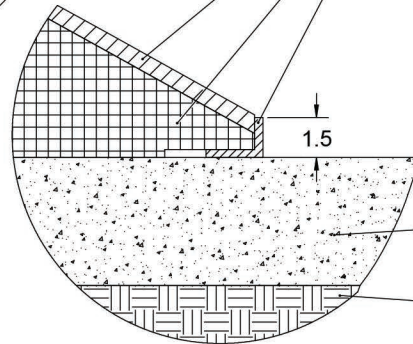
# PlayMounds

Medium PlayMound – 8'



**PlayMounds™ Patented Layering System by ForeverLawn®**  
 EPP PROTECTIVE FOAM LAYER  
 EPS GEO FOAM CORE  
 HDPE NAILER FOR SECURING FOREVERLAWN TURF

PLAYMOUND SECTIONS MUST BE GLUED TOGETHER USING GREAT STUFF PRO™



DETAIL A  
SCALE 1:3

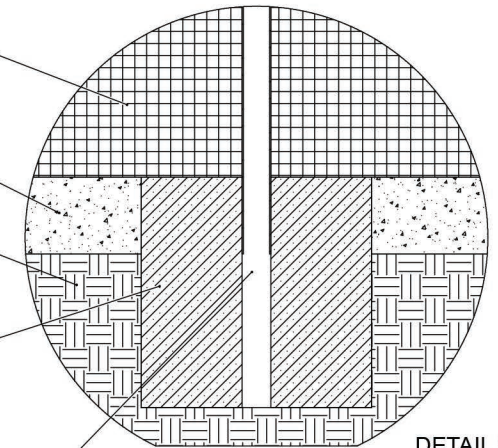
### GROUND ANCHORING SYSTEM

EPS GEO FOAM CORE

4" OF CRUSHED STONE

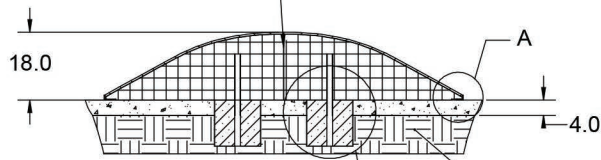
FILL DIRT

CONCRETE FOOTER



DETAIL B  
SCALE 1:5

GALVANIZED STEEL POLE GLUED INTO GEO FOAM WITH URETHANE EXPANDABLE FOAM THEN SUNK INTO THE CONCRETE FOOTER



SECTION A-A

FILL DIRT

Units: Feet and inches

Material	Polystyrene
Covering	Turf (sold separately)
Weight	54 lb (100 lb turfed)
Drawing No.	M1537 05/26