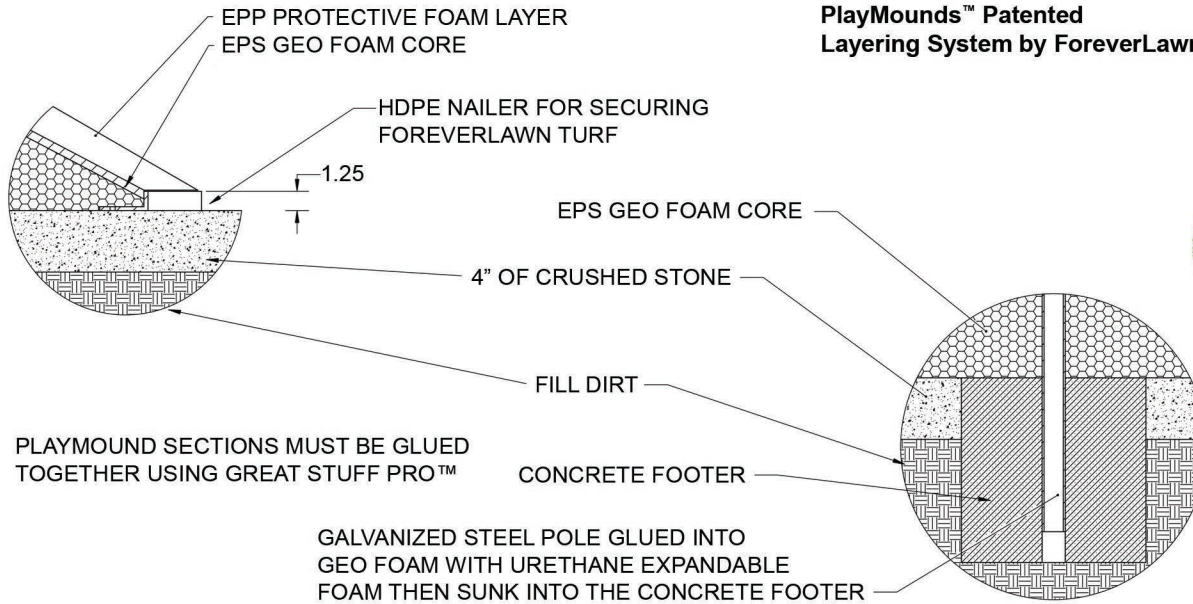


PlayMounds

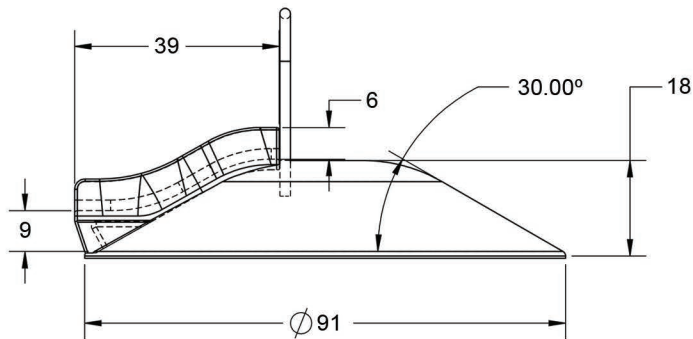
Medium PlayMound with Slide – 8'

GROUND ANCHORING SYSTEM

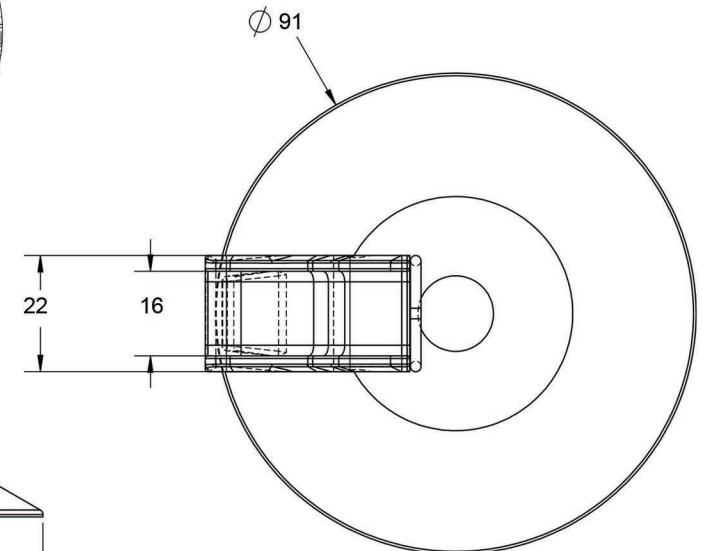
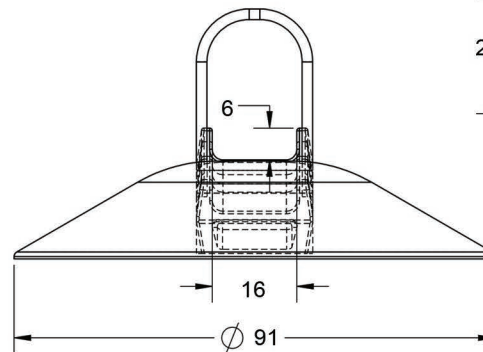
PlayMounds™ Patented Layering System by ForeverLawn®



PLAYMOUND SECTIONS MUST BE GLUED TOGETHER USING GREAT STUFF PRO™



ANCHORING POLES TO BE SET INTO CONCRETE FOOTER



Material	Polystyrene	
Covering	Turf (sold separately)	
Weight	320 lb	
Drawing No.	M1804	05/26