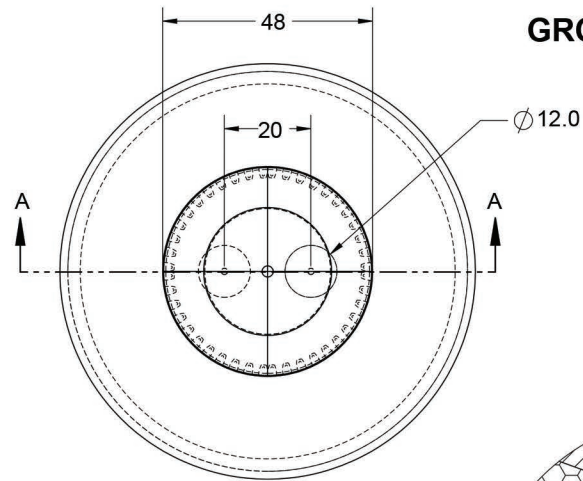


PlayMounds

Mini PlayMound - 4'

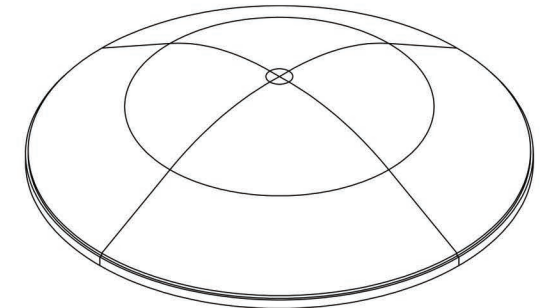


GROUND ANCHORING SYSTEM

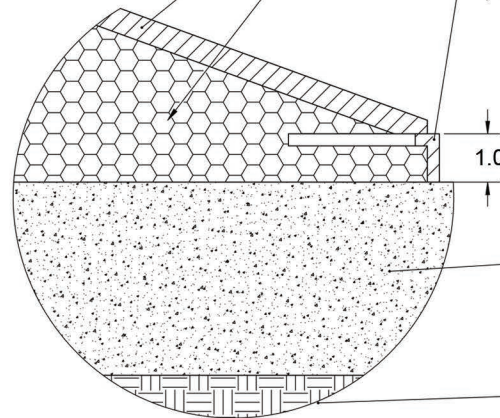
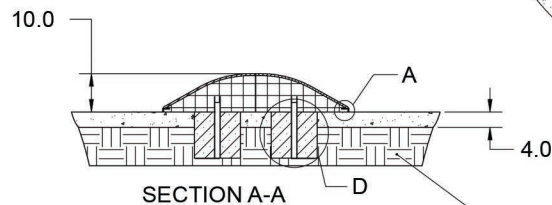


PlayMounds™ Patented Layering System by ForeverLawn®

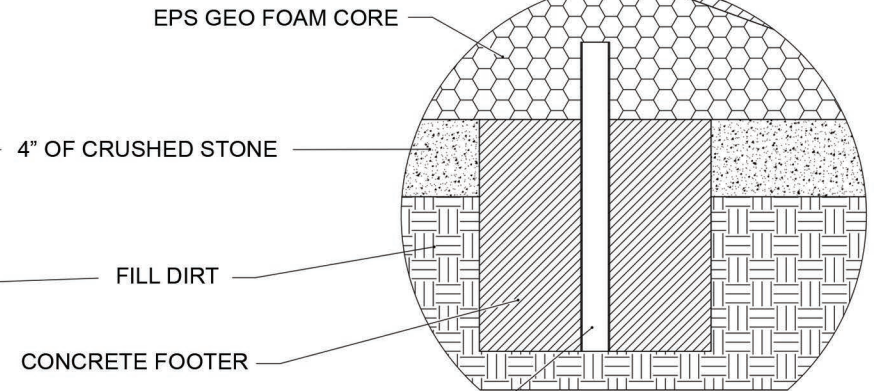
- EPP PROTECTIVE FOAM LAYER
- EPS GEO FOAM CORE
- HDPE NAILER FOR SECURING FOREVERLAWN TURF



PLAYMOUND SECTIONS MUST BE GLUED TOGETHER USING GREAT STUFF PRO™



DETAIL A
SCALE 1:2



DETAIL D
SCALE 1:5

GALVANIZED STEEL POLE GLUED INTO GEO FOAM WITH URETHANE EXPANDABLE FOAM THEN SUNK INTO THE CONCRETE FOOTER

FILL DIRT

FILL DIRT

4" OF CRUSHED STONE

EPS GEO FOAM CORE

CONCRETE FOOTER

Material	Polystyrene
Covering	Turf (sold separately)
Weight	10 lb (22 lb turfed)
Drawing No.	M1539 05/26