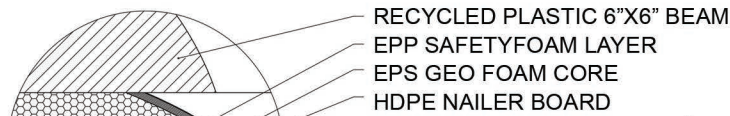
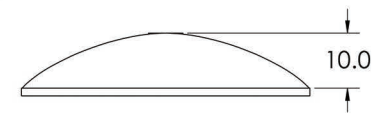
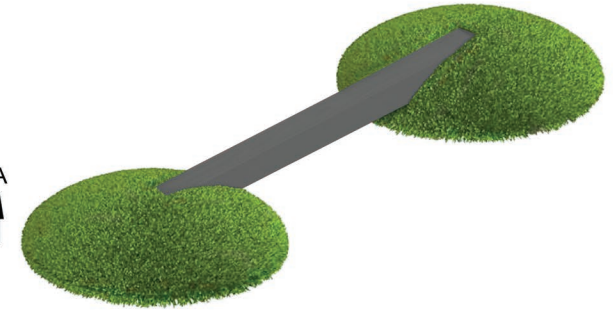
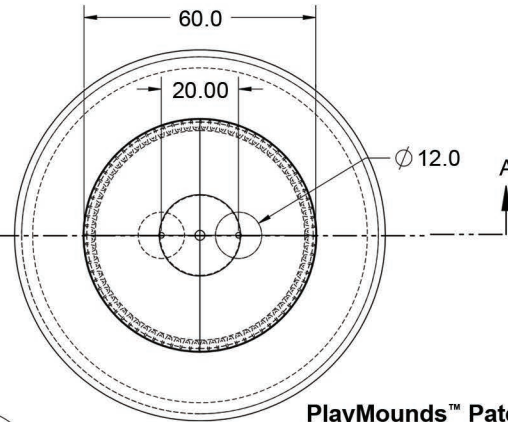


PlayMounds

Mini PlayMound – 5' with Balance Beam



DETAIL B
SCALE 1:5



PlayMounds™ Patented Layering System by ForeverLawn®

EPP PROTECTIVE FOAM LAYER
EPS GEO FOAM CORE

HDPE NAILER FOR SECURING FOREVERLAWN TURF

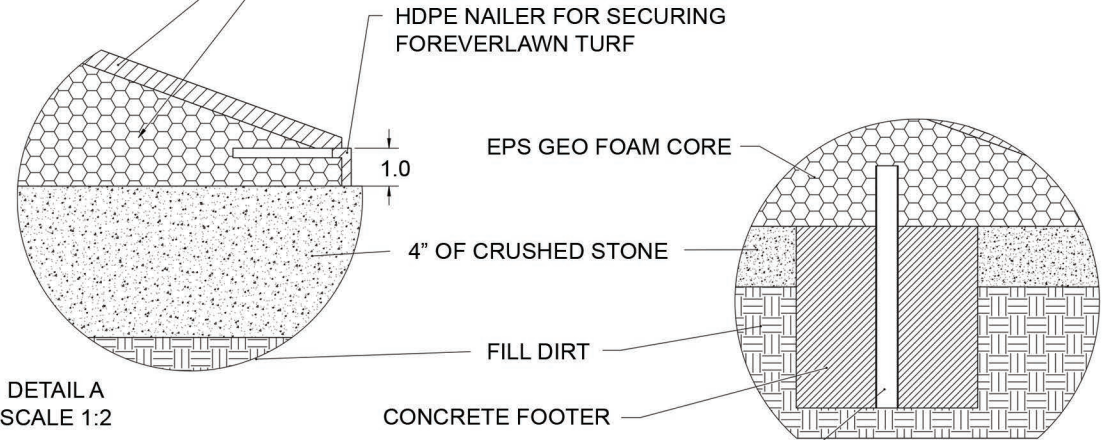
EPS GEO FOAM CORE

4" OF CRUSHED STONE

FILL DIRT

CONCRETE FOOTER

DETAIL A
SCALE 1:2

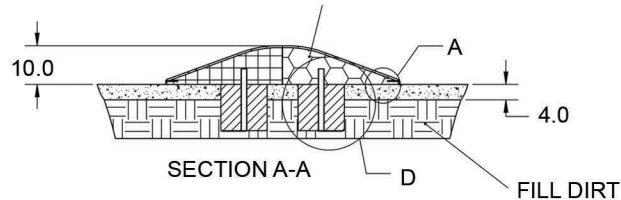


DETAIL D
SCALE 1:5

GALVANIZED STEEL POLE GLUED INTO GEO FOAM WITH URETHANE EXPANDABLE FOAM THEN SUNK INTO THE CONCRETE FOOTER

GROUND ANCHORING SYSTEM

PLAYMOUND SECTIONS MUST BE GLUED TOGETHER USING GREAT STUFF PRO™



Material	Polystyrene	
Covering	Turf (sold separately)	
Weight		
Drawing No.	M1690	05/26