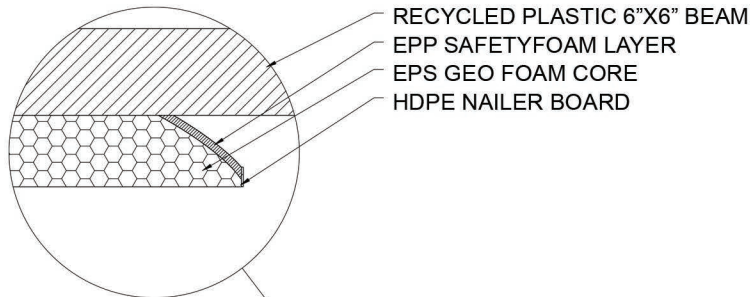
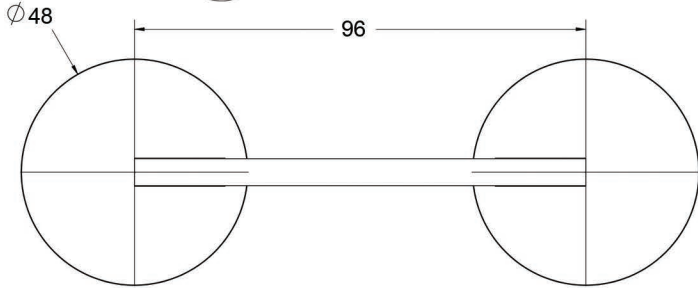


# PlayMounds

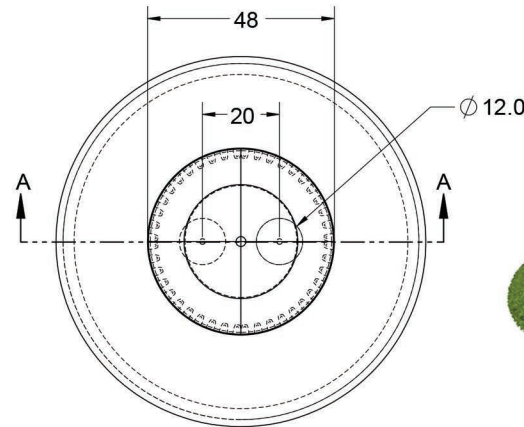
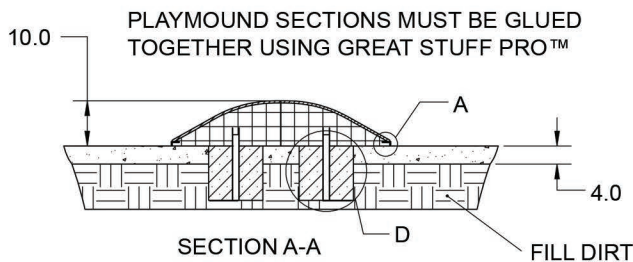
Mini PlayMound – 4' with Balance Beam



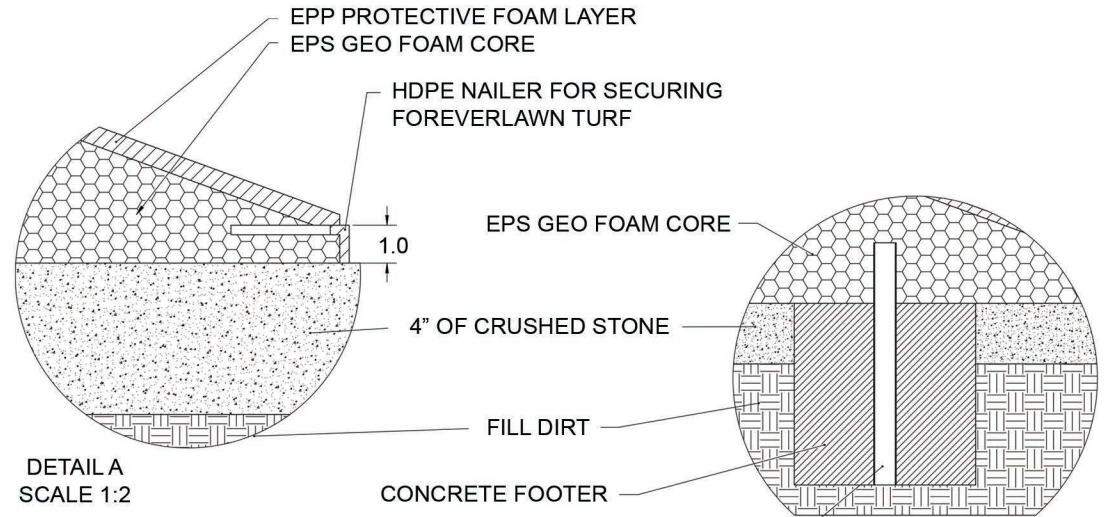
DETAIL B  
SCALE 1:5



## GROUND ANCHORING SYSTEM



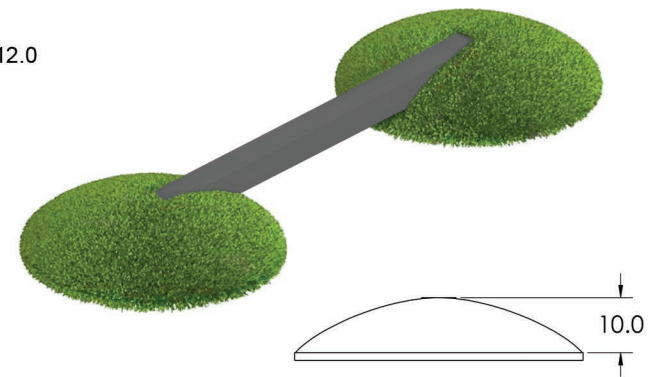
## PlayMounds™ Patented Layering System by ForeverLawn®



DETAIL A  
SCALE 1:2

DETAIL D  
SCALE 1:5

GALVANIZED STEEL POLE GLUED INTO GEO FOAM WITH URETHANE EXPANDABLE FOAM THEN SUNK INTO THE CONCRETE FOOTER



Material	Polystyrene	
Covering	Turf (sold separately)	
Weight		
Drawing No.	M1640	05/26