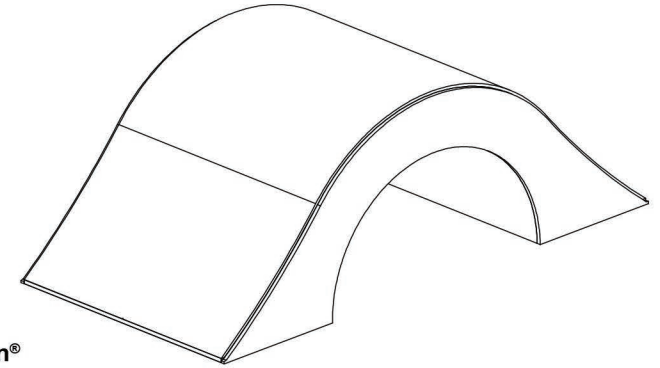
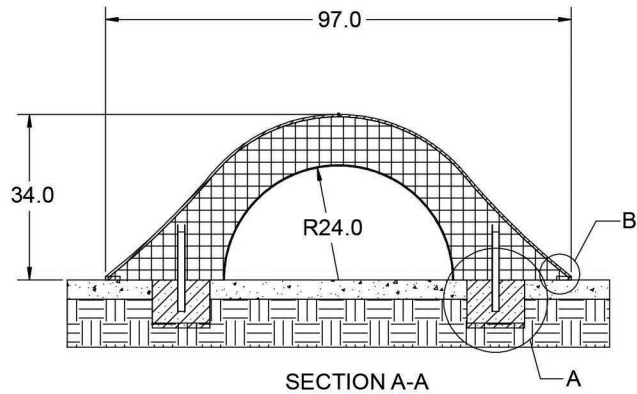


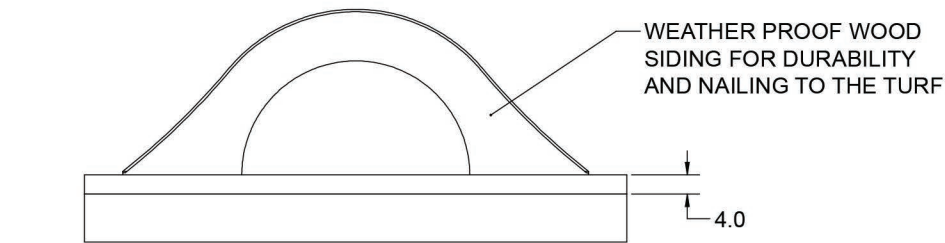
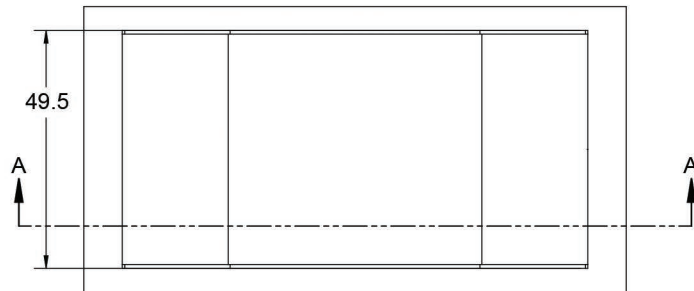
PlayMounds

Standard Bridge



PlayMounds™ Patented Layering System by ForeverLawn®

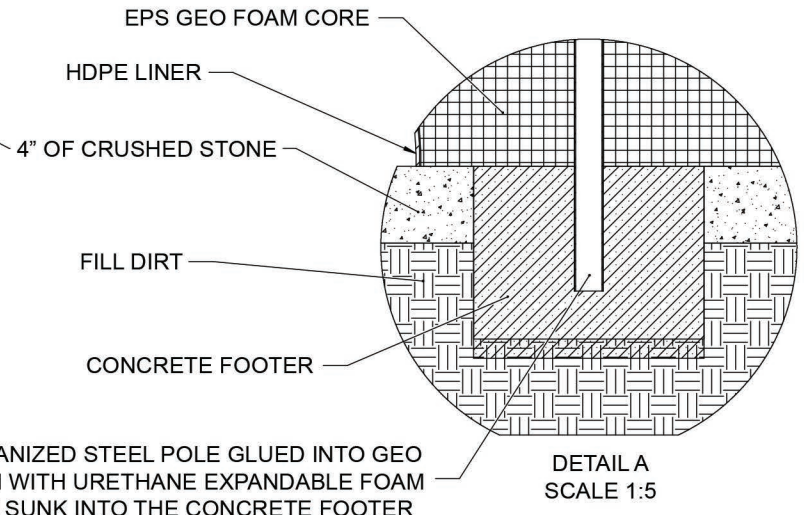
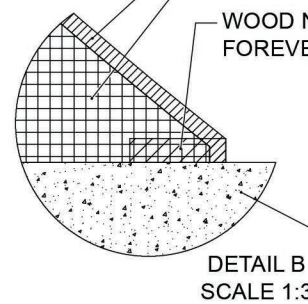
- EPP PROTECTIVE FOAM LAYER
- EPS GEO FOAM CORE
- WOOD NAILER FOR SECURING FOREVERLAWN TURF



PLAYMOUND SECTIONS MUST BE GLUED TOGETHER USING GREAT STUFF PRO™

Units: Feet and inches

GROUND ANCHORING SYSTEM



GALVANIZED STEEL POLE GLUED INTO GEO FOAM WITH URETHANE EXPANDABLE FOAM THEN SUNK INTO THE CONCRETE FOOTER

Material	Polystyrene	
Covering	Turf (sold separately)	
Weight	112 lb (152 lb turfed)	
Drawing No.	M1368	05/26