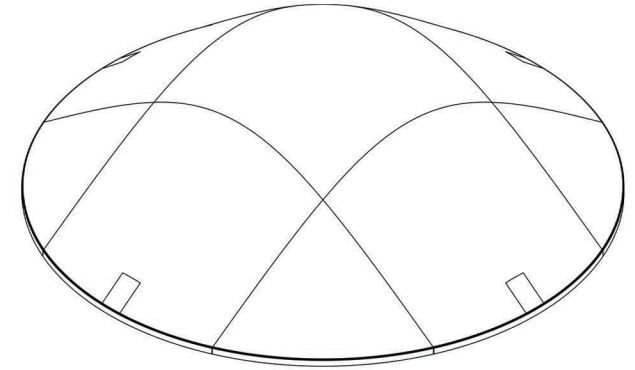
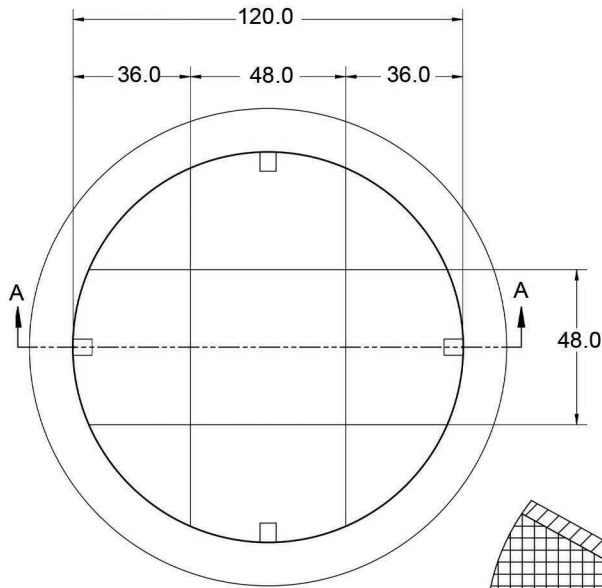


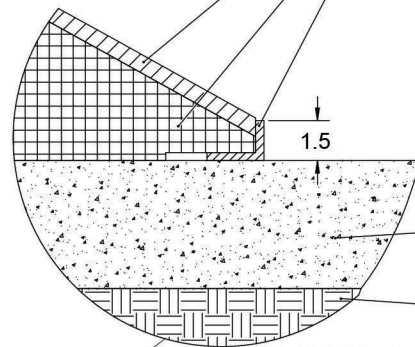
PlayMounds

Standard PlayMound – 10'

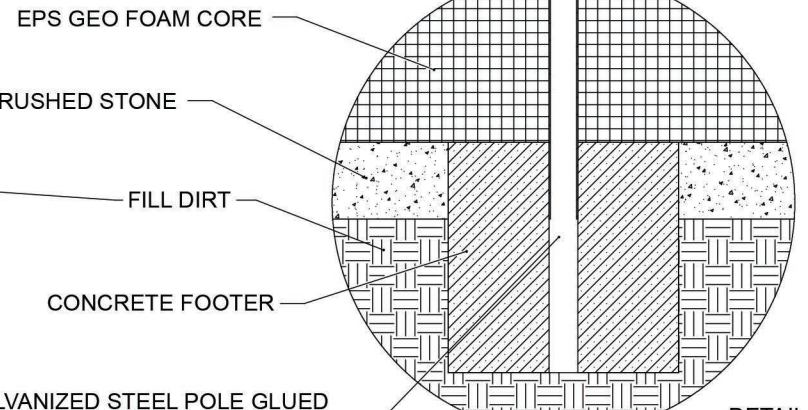


PlayMounds™ Patented Layering System by ForeverLawn®
 EPP PROTECTIVE FOAM LAYER
 EPS GEO FOAM CORE
 HDPE NAILER FOR SECURING FOREVERLAWN TURF

GROUND ANCHORING SYSTEM

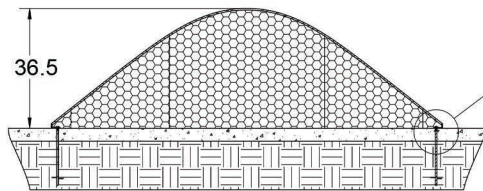


DETAIL A
SCALE 1:3



DETAIL B
SCALE 1:5

GALVANIZED STEEL POLE GLUED INTO GEO FOAM WITH URETHANE EXPANDABLE FOAM THEN SUNK INTO THE CONCRETE FOOTER



SECTION A-A

Units: Feet and inches

Material	Polystyrene
Covering	Turf (sold separately)
Weight	325 lb
Drawing No.	M1469
	05/26