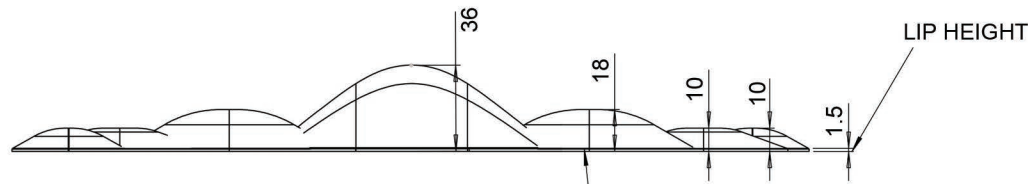
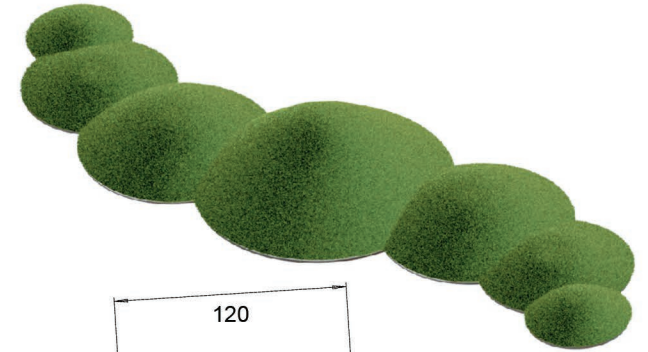


PlayMounds

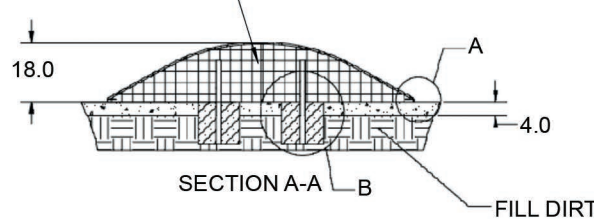
Zigzag Stepper "S"



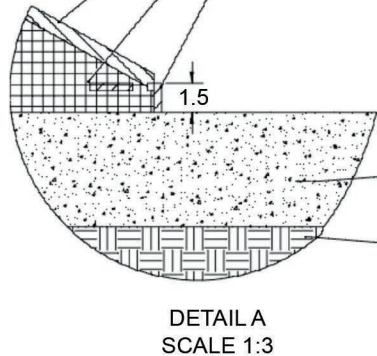
ALL MOUNDS HAVE THE SAME ANCHORING SET UP

PlayMounds™ Patented Layering System by ForeverLawn®

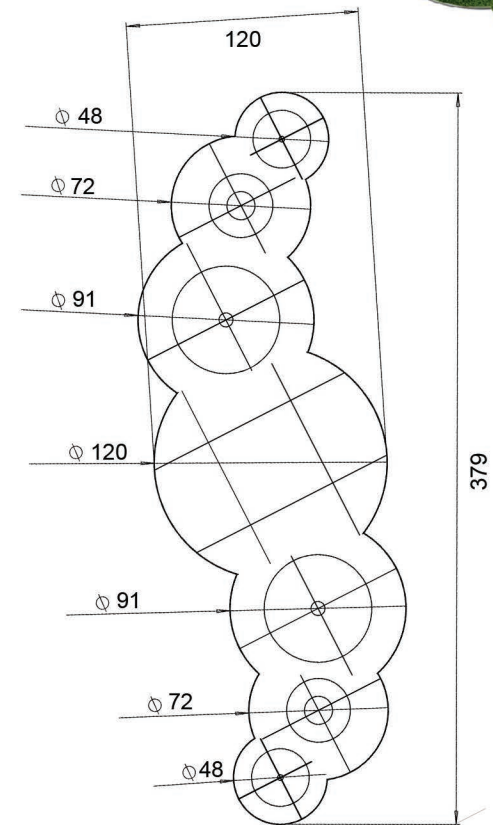
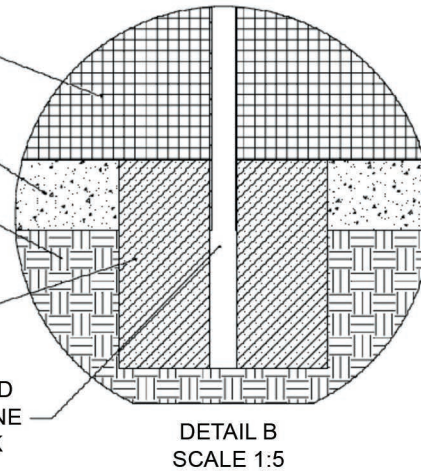
- EPP PROTECTIVE FOAM LAYER
- EPS GEO FOAM CORE
- HDPE NAILER FOR SECURING FOREVERLAWN TURF



GROUND ANCHORING SYSTEM



- EPS GEO FOAM CORE
- 4" OF CRUSHED STONE
- FILL DIRT
- CONCRETE FOOTER
- GALVANIZED STEEL POLE GLUED INTO GEO FOAM WITH URETHANE EXPANDABLE FOAM THEN SUNK INTO THE CONCRETE FOOTER



Units: Feet and inches

Material	Polystyrene	
Covering	Turf	
Weight		
Drawing No.	M1930	05/26