

PlayMounds

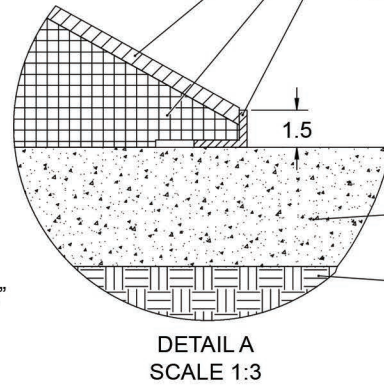
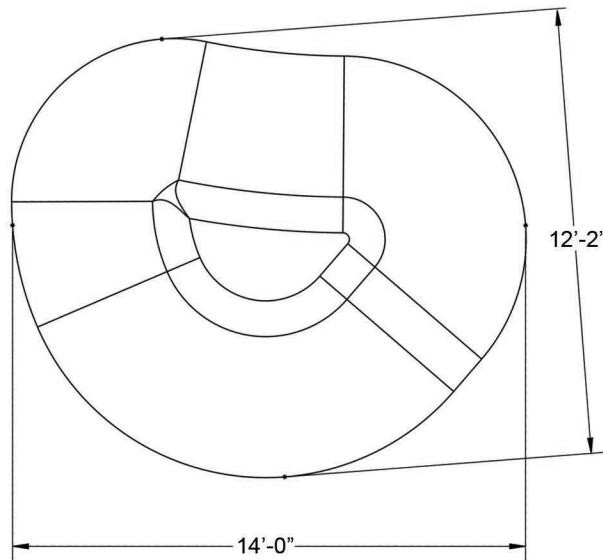
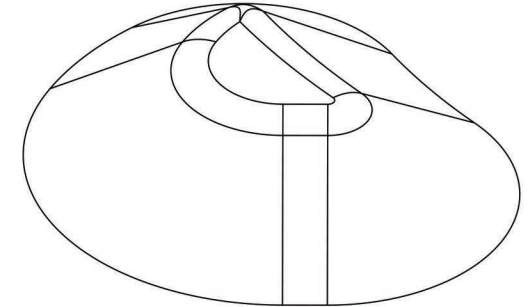
Adventure Island PlayMound



GROUND ANCHORING SYSTEM

PlayMounds™ Patented Layering System by ForeverLawn®

- EPP PROTECTIVE FOAM LAYER
- EPS GEO FOAM CORE
- HDPE NAILER FOR SECURING FOREVERLAWN TURF



EPS GEO FOAM CORE

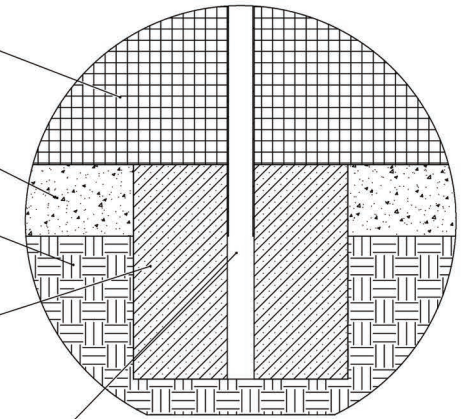
4" OF CRUSHED STONE

FILL DIRT

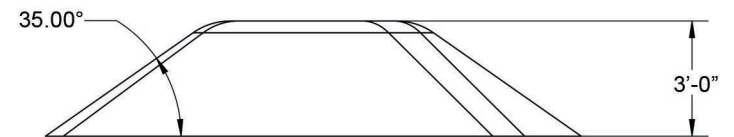
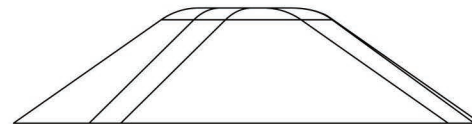
CONCRETE FOOTER

GALVANIZED STEEL POLE GLUED INTO GEO FOAM WITH URETHANE EXPANDABLE FOAM THEN SUNK INTO THE CONCRETE FOOTER

DETAIL B
SCALE 1:5



PLAYMOUND SECTIONS
MUST BE GLUED TOGETHER
USING GREAT STUFF PRO™



Units: Feet and inches



330.499.8873 • foreverlawn.com
8007 Beeson St., Louisville, OH 44641



microsite.caddetails.com/1148

Material	Polystyrene
Covering	Turf (sold separately)
Weight	575 lb
Drawing No.	M1693
	05/26