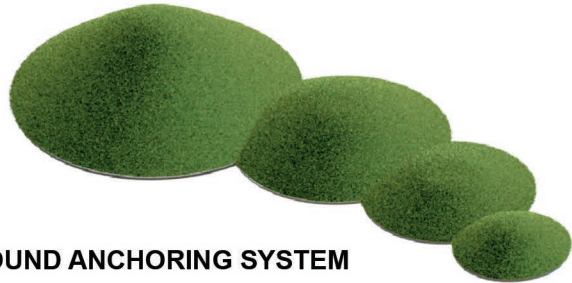


# PlayMounds

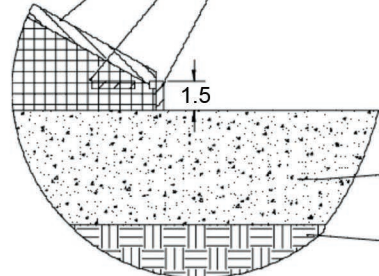
Arc Stepper Right to Left



## GROUND ANCHORING SYSTEM

### PlayMounds™ Patented Layering System by ForeverLawn®

- EPP PROTECTIVE FOAM LAYER
- EPS GEO FOAM CORE
- HDPE NAILER FOR SECURING FOREVERLAWN TURF

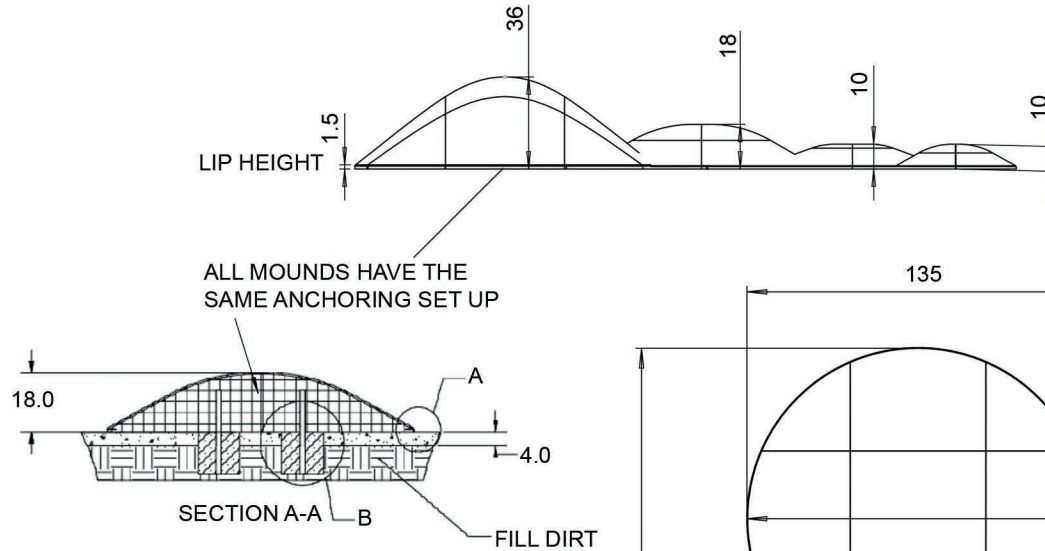


DETAIL A  
SCALE 1:3

- EPS GEO FOAM CORE
- 4" OF CRUSHED STONE
- FILL DIRT
- CONCRETE FOOTER

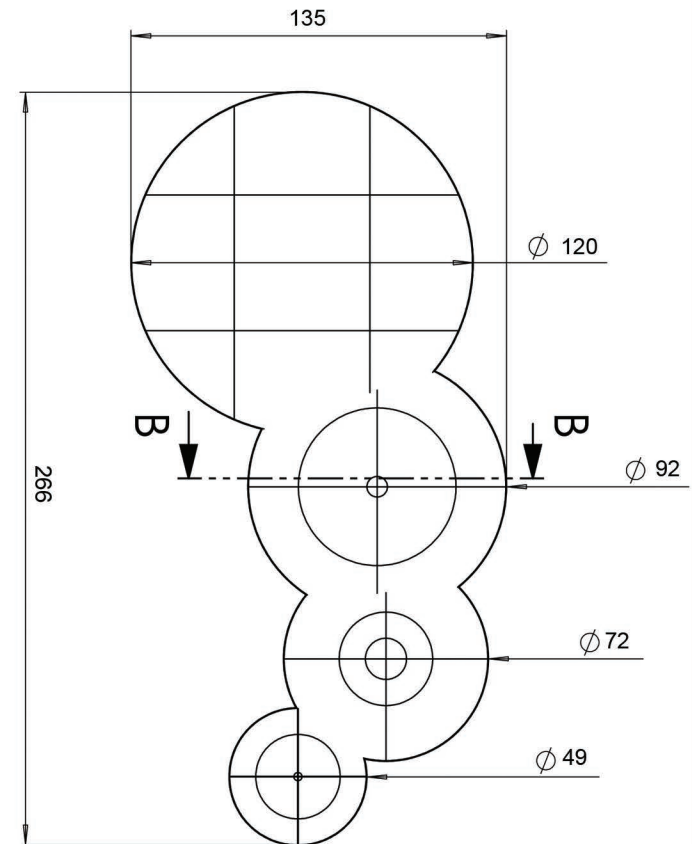
GALVANIZED STEEL POLE GLUED INTO GEO FOAM WITH URETHANE EXPANDABLE FOAM THEN SUNK INTO THE CONCRETE FOOTER

ALL MOUNDS HAVE THE SAME ANCHORING SET UP



SECTION A-A

DETAIL B  
SCALE 1:5



Units: Feet and inches



330.499.8873 • foreverlawn.com  
8007 Beeson St., Louisville, OH 44641



microsite.caddetails.com/1148

Material	Polystyrene	
Covering	Turf	
Weight		
Drawing No.	M1929	05/26