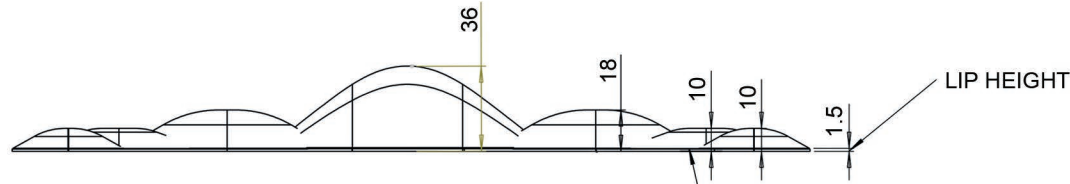


PlayMounds

Crescent Stepper

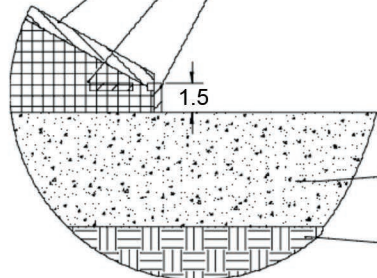
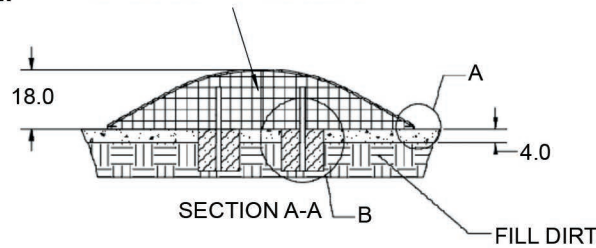


GROUND ANCHORING SYSTEM

PlayMounds™ Patented Layering System by ForeverLawn®

- EPP PROTECTIVE FOAM LAYER
- EPS GEO FOAM CORE
- HDPE NAILER FOR SECURING FOREVERLAWN TURF

ALL MOUNDS HAVE THE SAME ANCHORING SET UP



DETAIL A
SCALE 1:3

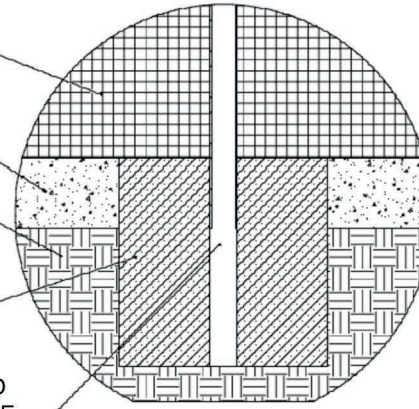
EPS GEO FOAM CORE

4" OF CRUSHED STONE

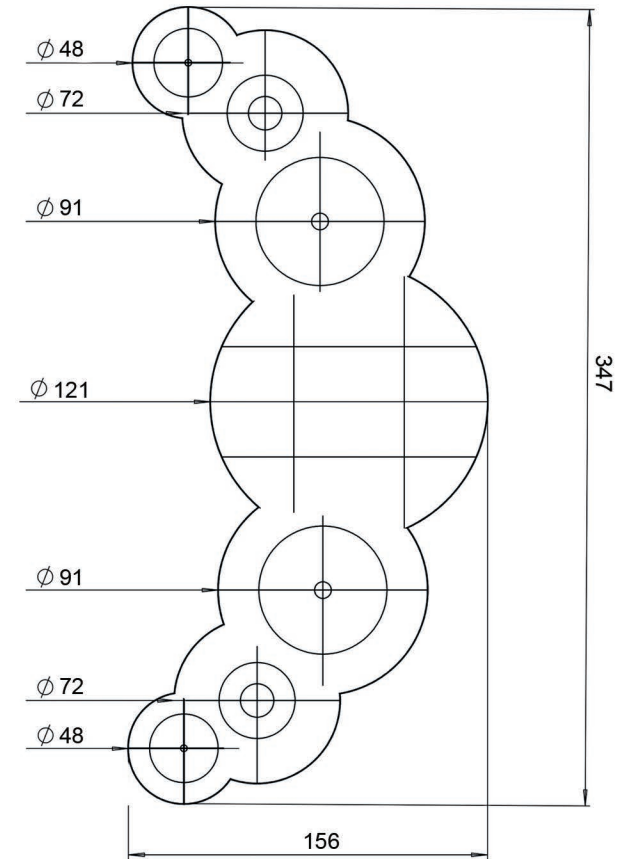
FILL DIRT

CONCRETE FOOTER

GALVANIZED STEEL POLE GLUED INTO GEO FOAM WITH URETHANE EXPANDABLE FOAM THEN SUNK INTO THE CONCRETE FOOTER



DETAIL B
SCALE 1:5



Units: Feet and inches



330.499.8873 • foreverlawn.com
8007 Beeson St., Louisville, OH 44641



microsite.caddetails.com/1148

Material	Polystyrene	
Covering	Turf	
Weight		
Drawing No.	M1932	05/26