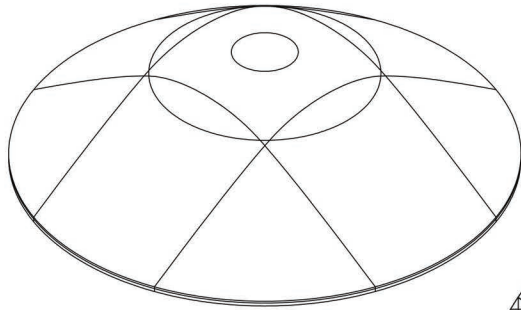


PlayMounds

Large PlayMound – 12'

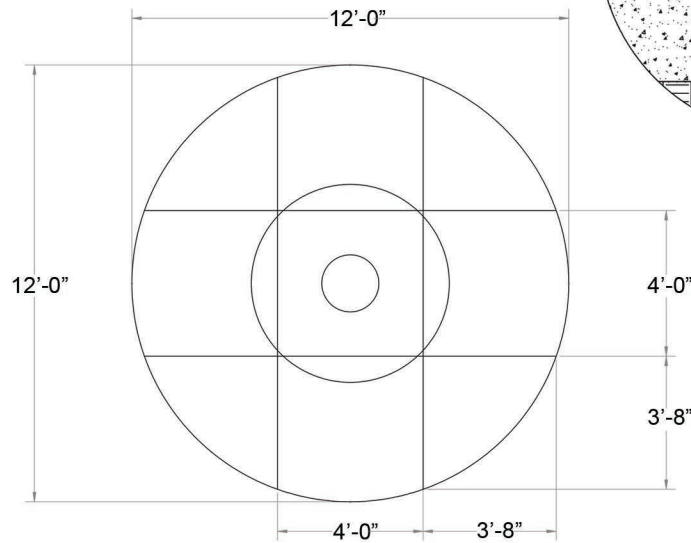


GROUND ANCHORING SYSTEM

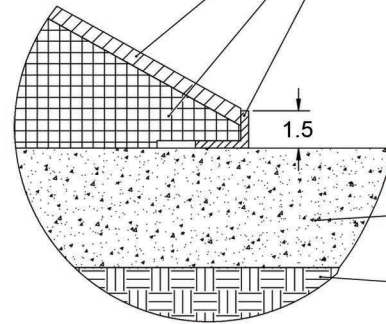
PlayMounds™ Patented Layering System by ForeverLawn®



PLAYMOUND SECTIONS MUST BE GLUED TOGETHER USING GREAT STUFF PRO™



- EPP PROTECTIVE FOAM LAYER
- EPS GEO FOAM CORE
- HDPE NAILER FOR SECURING FOREVERLAWN TURF



DETAIL A
SCALE 1:3

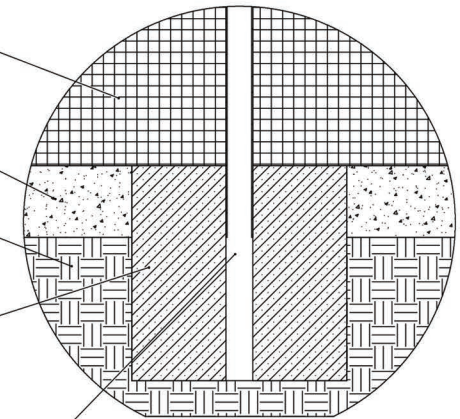
EPS GEO FOAM CORE

4" OF CRUSHED STONE

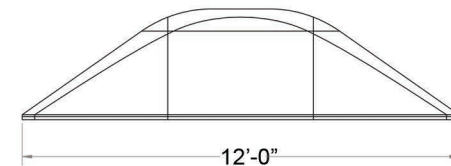
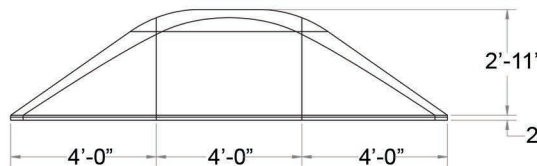
FILL DIRT

CONCRETE FOOTER

GALVANIZED STEEL POLE GLUED INTO GEO FOAM WITH URETHANE EXPANDABLE FOAM THEN SUNK INTO THE CONCRETE FOOTER



DETAIL B
SCALE 1:5



Units: Feet and inches



330.499.8873 • foreverlawn.com
8007 Beeson St., Louisville, OH 44641



microsite.caddetails.com/1148

Material	Polystyrene
Covering	Turf (sold separately)
Weight	350 lb
Drawing No.	M1691
	05/26