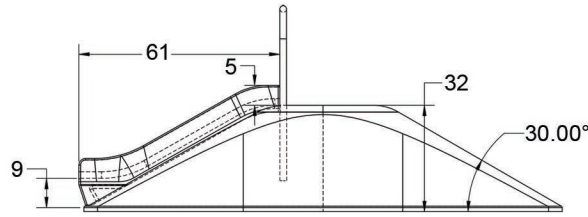
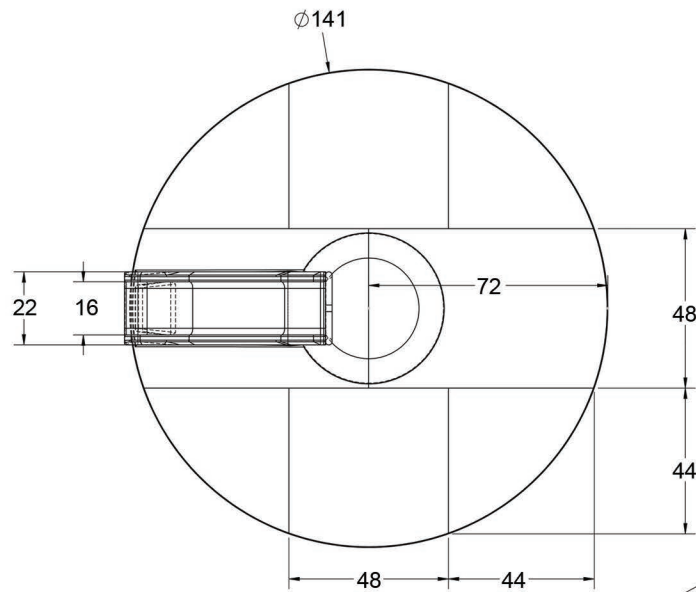


# PlayMounds

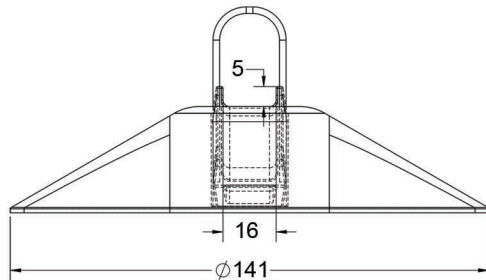
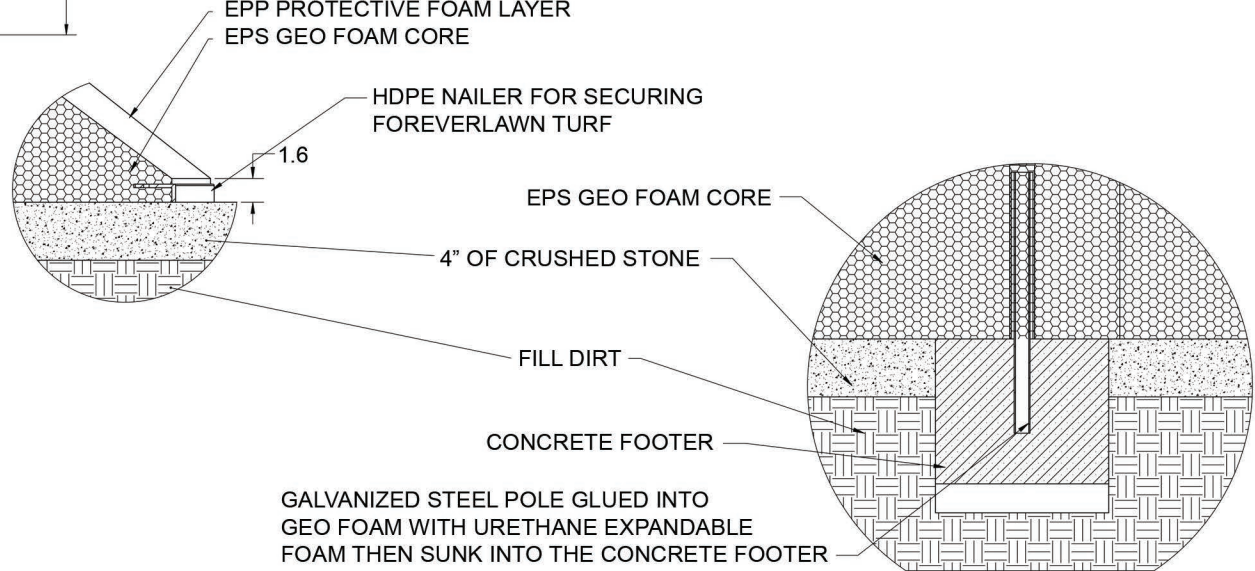
Large PlayMound with Slide – 12'



## GROUND ANCHORING SYSTEM

**PlayMounds™ Patented Layering System by ForeverLawn®**  
 EPP PROTECTIVE FOAM LAYER  
 EPS GEO FOAM CORE

PLAYMOUND SECTIONS  
 MUST BE GLUED TOGETHER  
 USING GREAT STUFF PRO™



Units: Feet and inches



330.499.8873 • foreverlawn.com  
 8007 Beeson St., Louisville, OH 44641



microsite.caddetails.com/1148

Material	Polystyrene
Covering	Turf (sold separately)
Weight	520 lb
Drawing No.	M2152
	05/26