

# PlayMounds

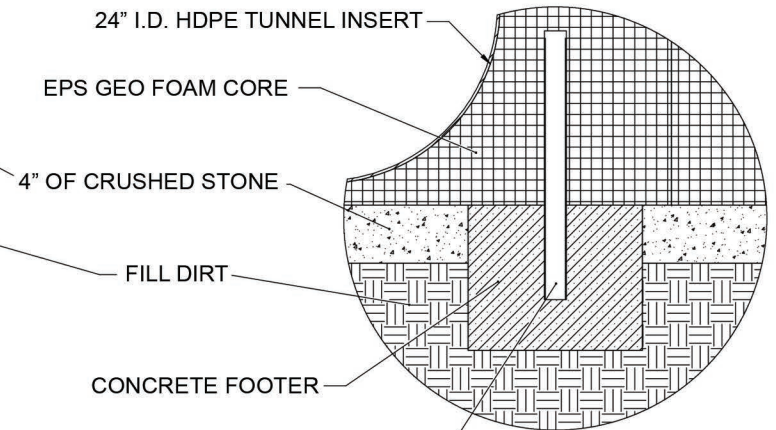
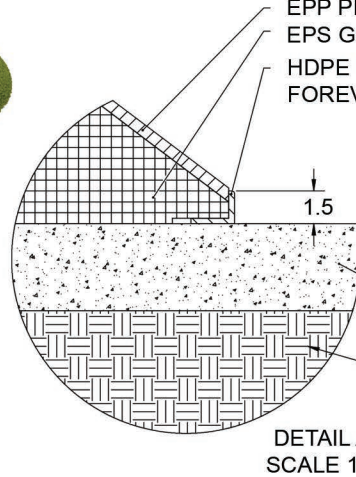
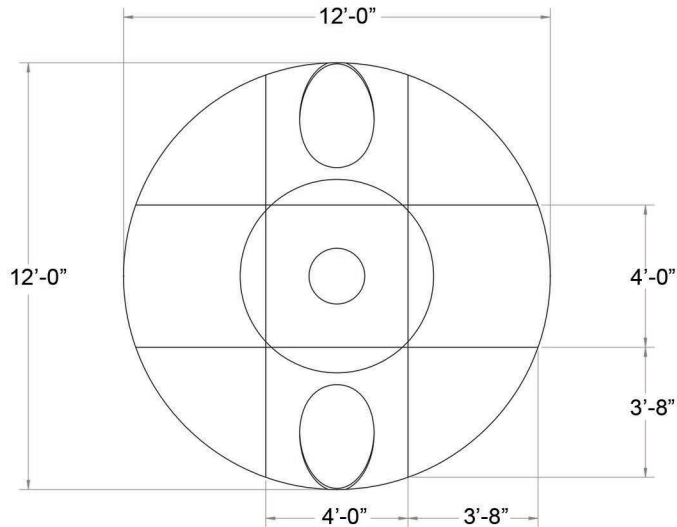
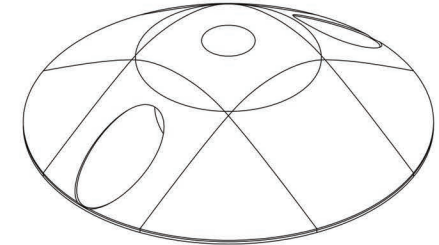
Large PlayMound with Tunnel – 12'



## GROUND ANCHORING SYSTEM

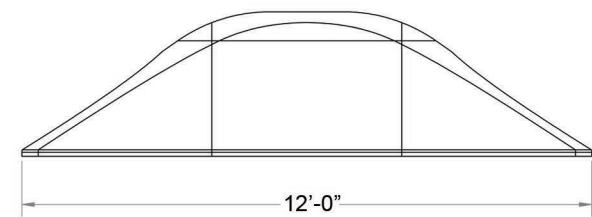
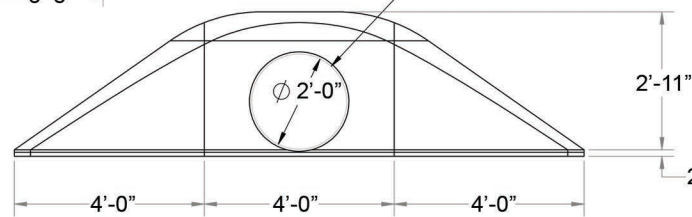
### PlayMounds™ Patented Layering System by ForeverLawn®

- EPP PROTECTIVE FOAM LAYER
- EPS GEO FOAM CORE
- HDPE NAILER FOR SECURING FOREVERLAWN TURF



GALVANIZED STEEL POLE GLUED INTO GEO FOAM WITH URETHANE EXPANDABLE FOAM THEN SUNK INTO THE CONCRETE FOOTER

24" DIAMETER HDPE TUNNEL



PLAYMOUND SECTIONS MUST BE GLUED TOGETHER USING GREAT STUFF PRO™

Units: Feet and inches



330.499.8873 • foreverlawn.com  
8007 Beeson St., Louisville, OH 44641



microsite.caddetails.com/1148

Material	Polystyrene
Covering	Turf (sold separately)
Weight	360 lb
Drawing No.	M1692 05/26