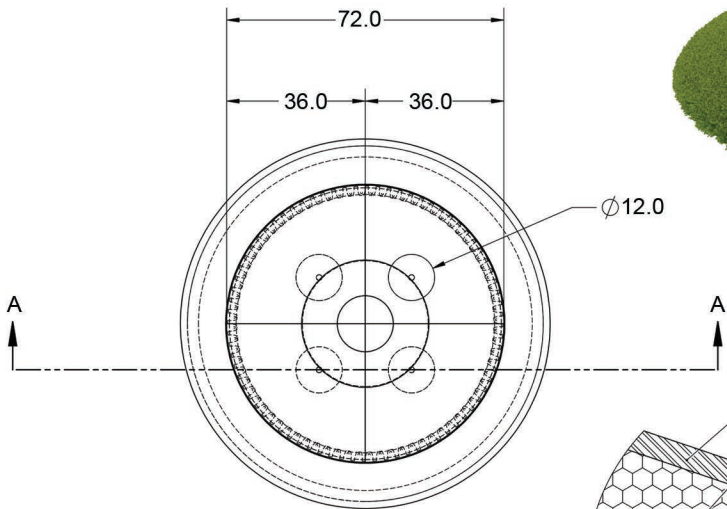
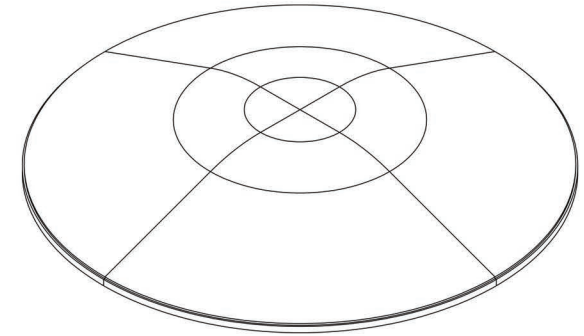


PlayMounds

Medium PlayMound – 6'

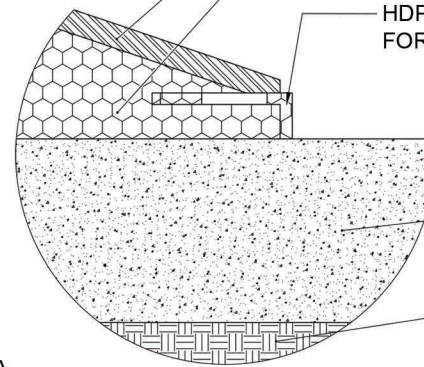
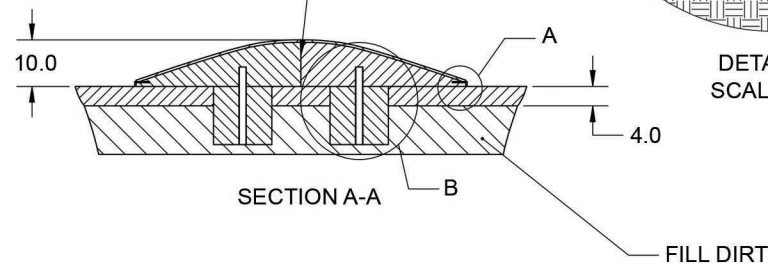


PlayMounds™ Patented Layering System by ForeverLawn®

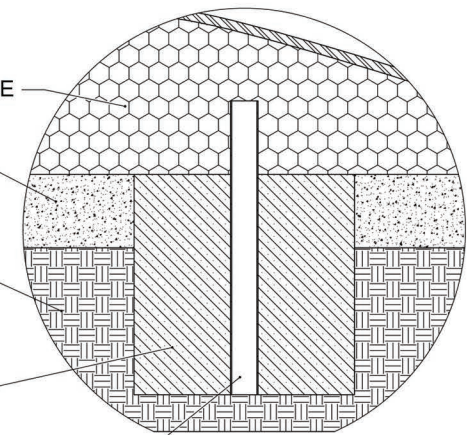
- EPP PROTECTIVE FOAM LAYER
- EPS GEO FOAM CORE
- HDPE NAILER FOR SECURING FOREVERLAWN TURF

GROUND ANCHORING SYSTEM

PLAYMOUND SECTIONS MUST BE GLUED TOGETHER USING GREAT STUFF PRO™



DETAIL A
SCALE 1:2



DETAIL B
SCALE 1:5

GALVANIZED STEEL POLE GLUED INTO GEO FOAM WITH URETHANE EXPANDABLE FOAM THEN SUNK INTO THE CONCRETE FOOTER



330.499.8873 • foreverlawn.com
8007 Beeson St., Louisville, OH 44641



microsite.caddetails.com/1148

Material	Polystyrene
Covering	Turf (sold separately)
Weight	251.5 lb
Drawing No.	M1819
	05/26