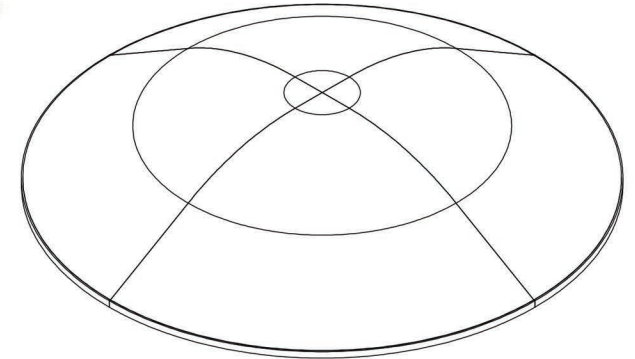
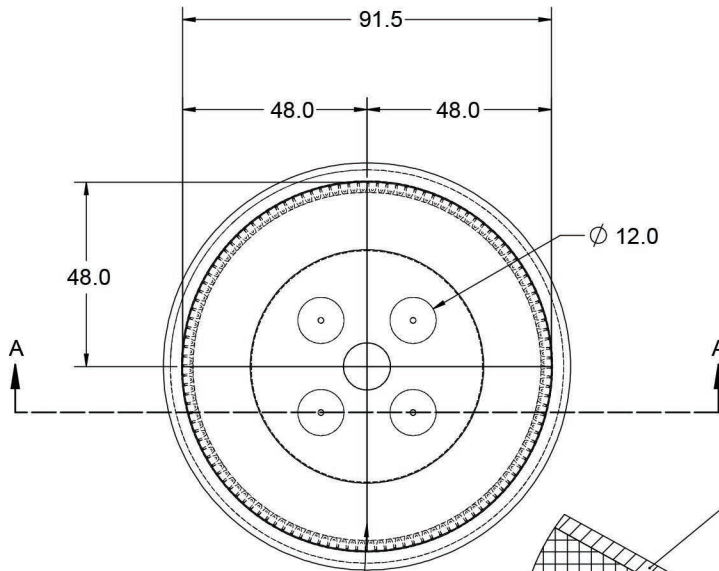


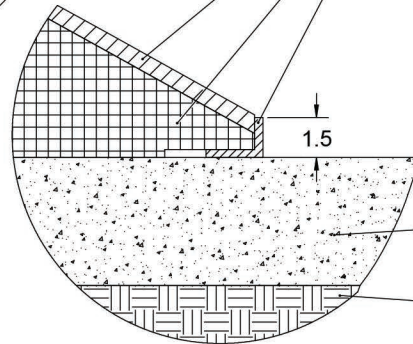
# PlayMounds

Medium PlayMound – 8'

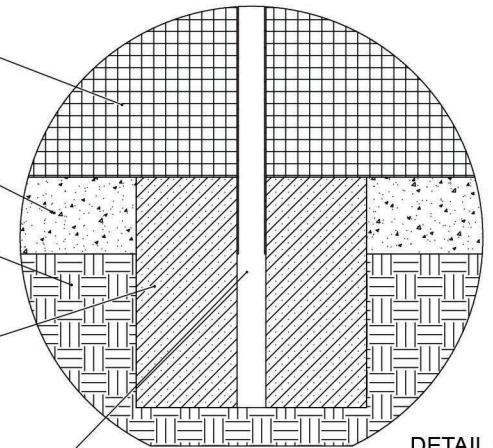


**PlayMounds™ Patented Layering System by ForeverLawn®**  
 EPP PROTECTIVE FOAM LAYER  
 EPS GEO FOAM CORE  
 HDPE NAILER FOR SECURING FOREVERLAWN TURF

### GROUND ANCHORING SYSTEM

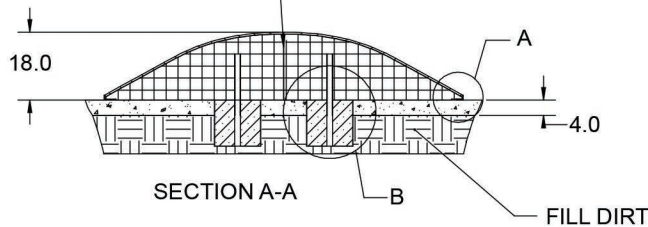


DETAIL A  
SCALE 1:3



DETAIL B  
SCALE 1:5

PLAYMOUND SECTIONS MUST BE GLUED TOGETHER USING GREAT STUFF PRO™



SECTION A-A

Units: Feet and inches



330.499.8873 • foreverlawn.com  
 8007 Beeson St., Louisville, OH 44641



[microsite.caddetails.com/1148](http://microsite.caddetails.com/1148)

Material	Polystyrene	
Covering	Turf (sold separately)	
Weight	54 lb (100 lb turfed)	
Drawing No.	M1537	05/26