

PlayMounds

Medium PlayMound with Slide – 8'

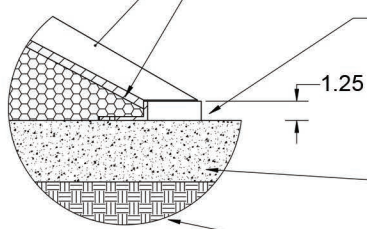


GROUND ANCHORING SYSTEM

PlayMounds™ Patented Layering System by ForeverLawn®

EPP PROTECTIVE FOAM LAYER
EPS GEO FOAM CORE

HDPE NAILER FOR SECURING FOREVERLAWN TURF

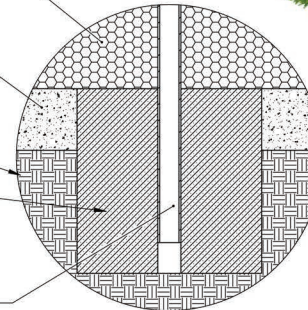


EPS GEO FOAM CORE

4" OF CRUSHED STONE

FILL DIRT

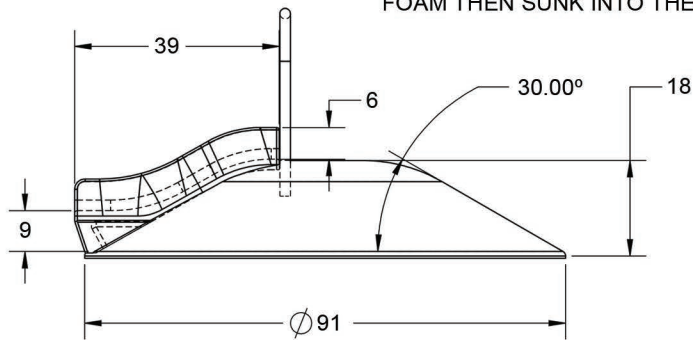
CONCRETE FOOTER



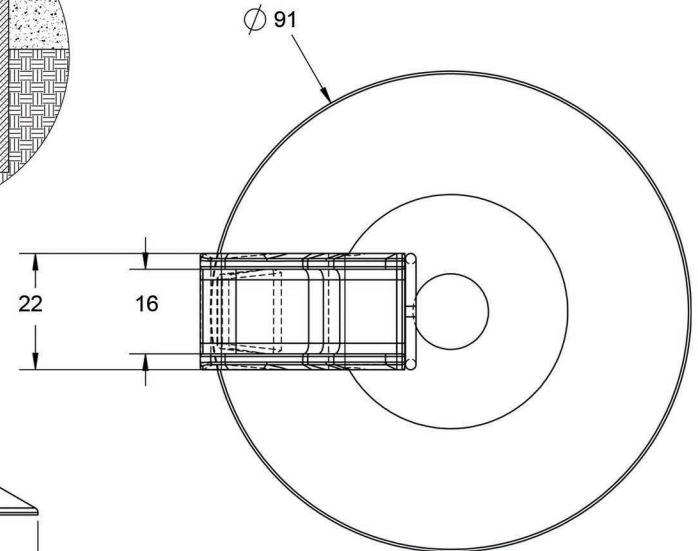
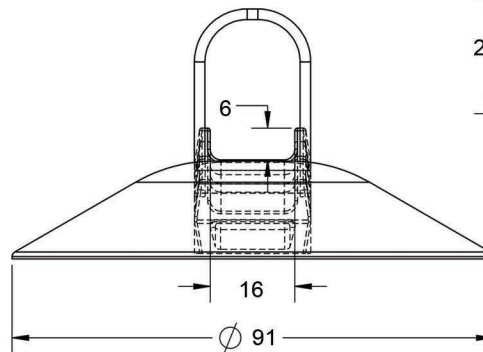
GALVANIZED STEEL POLE GLUED INTO GEO FOAM WITH URETHANE EXPANDABLE FOAM THEN SUNK INTO THE CONCRETE FOOTER



PLAYMOUND SECTIONS MUST BE GLUED TOGETHER USING GREAT STUFF PRO™



ANCHORING POLES TO BE SET INTO CONCRETE FOOTER



330.499.8873 • foreverlawn.com
8007 Beeson St., Louisville, OH 44641



microsite.caddetails.com/1148

Material	Polystyrene	
Covering	Turf (sold separately)	
Weight	320 lb	
Drawing No.	M1804	05/26