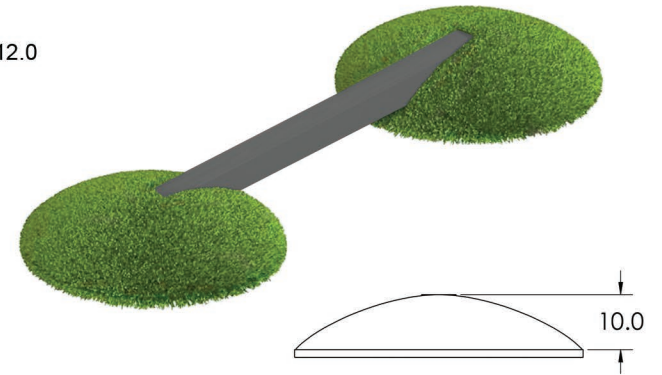
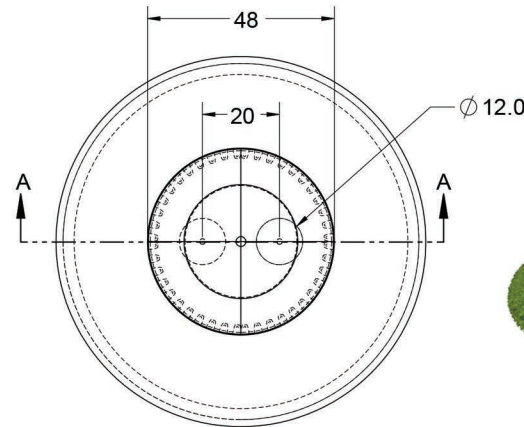


PlayMounds

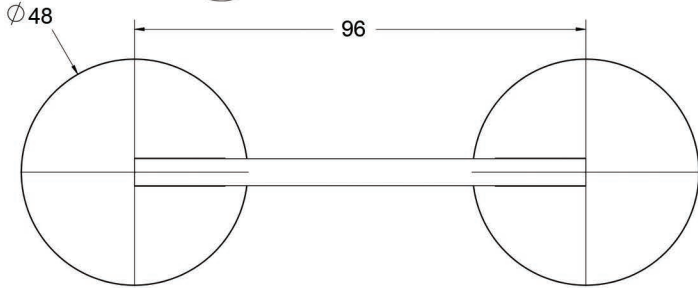
Mini PlayMound – 4' with Balance Beam



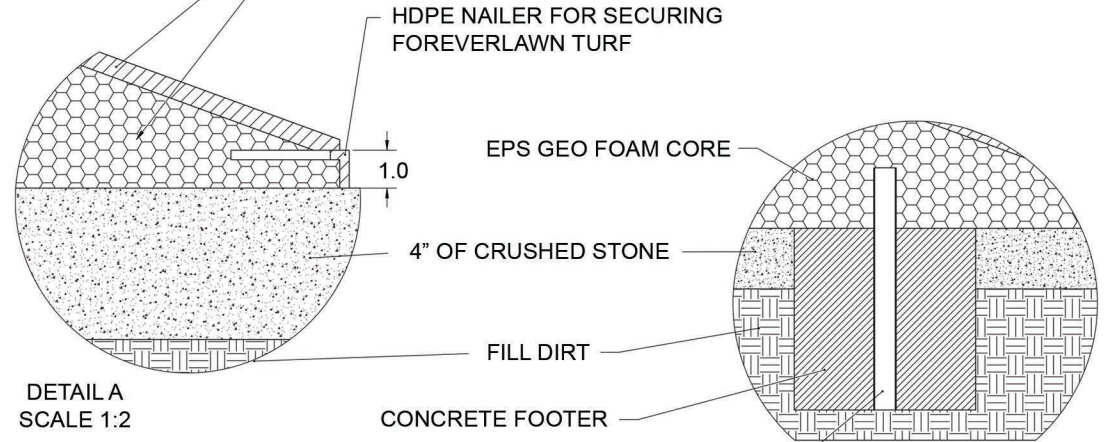
DETAIL B
SCALE 1:5



PlayMounds™ Patented Layering System by ForeverLawn®



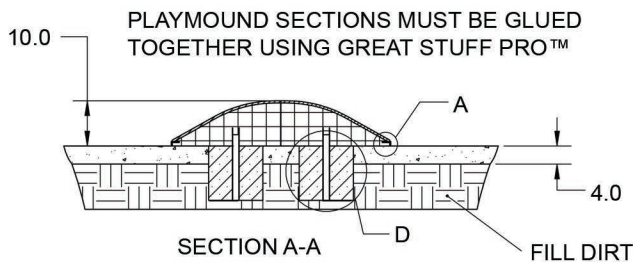
EPP PROTECTIVE FOAM LAYER
EPS GEO FOAM CORE
HDPE NAILER FOR SECURING FOREVERLAWN TURF



DETAIL A
SCALE 1:2

DETAIL D
SCALE 1:5

GROUND ANCHORING SYSTEM



GALVANIZED STEEL POLE GLUED INTO GEO FOAM WITH URETHANE EXPANDABLE FOAM THEN SUNK INTO THE CONCRETE FOOTER

Material	Polystyrene	
Covering	Turf (sold separately)	
Weight		
Drawing No.	M1640	05/26



330.499.8873 • foreverlawn.com
8007 Beeson St., Louisville, OH 44641



microsite.caddetails.com/1148