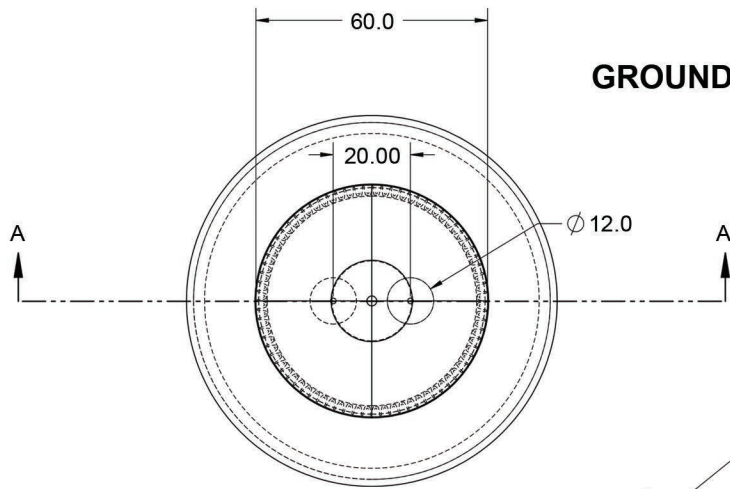


PlayMounds

Mini PlayMound – 5'



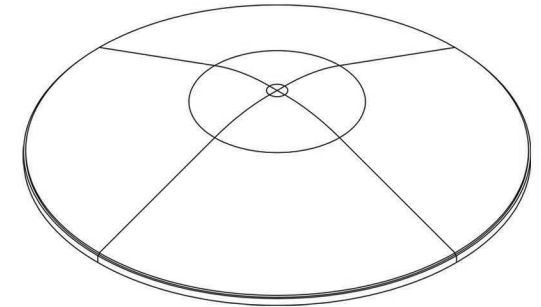
GROUND ANCHORING SYSTEM



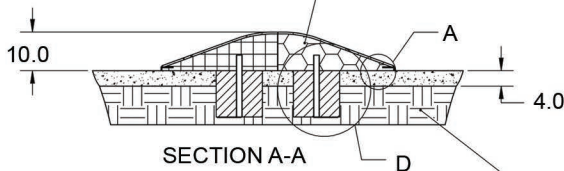
PlayMounds™ Patented Layering System by ForeverLawn®

EPP PROTECTIVE FOAM LAYER
EPS GEO FOAM CORE

HDPE NAILER FOR SECURING FOREVERLAWN TURF



PLAYMOUND SECTIONS MUST BE GLUED TOGETHER USING GREAT STUFF PRO™



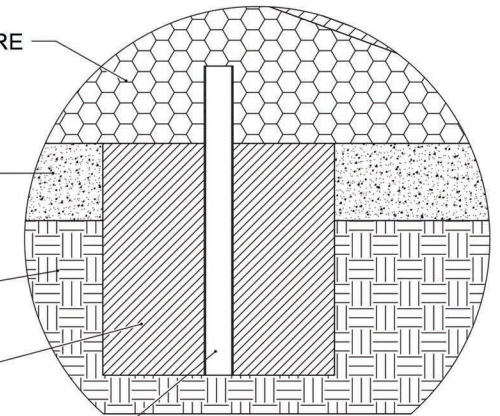
DETAIL A
SCALE 1:2

EPS GEO FOAM CORE

4" OF CRUSHED STONE

FILL DIRT

CONCRETE FOOTER



DETAIL D
SCALE 1:5

GALVANIZED STEEL POLE GLUED INTO GEO FOAM WITH URETHANE EXPANDABLE FOAM THEN SUNK INTO THE CONCRETE FOOTER

FILL DIRT

Material	Polystyrene
Covering	Turf (sold separately)
Weight	14 lb (32 lb turfed)
Drawing No.	M1538 05/26



330.499.8873 • foreverlawn.com
8007 Beeson St., Louisville, OH 44641



microsite.caddetails.com/1148