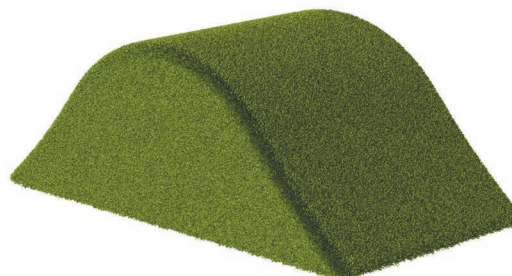
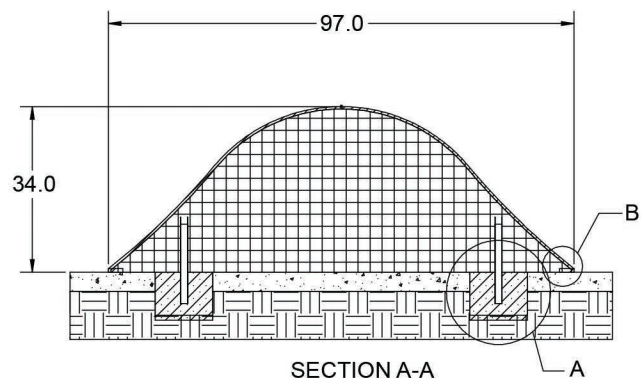


PlayMounds

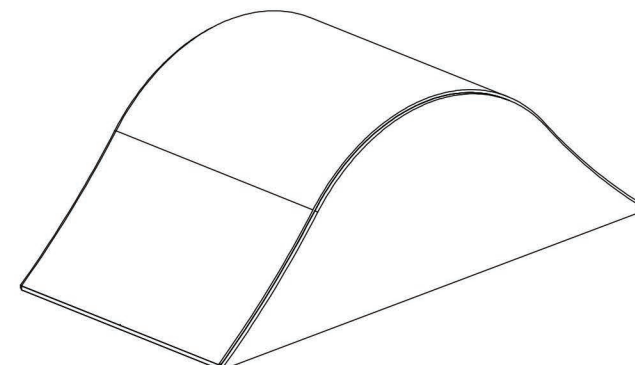
Standard Berm



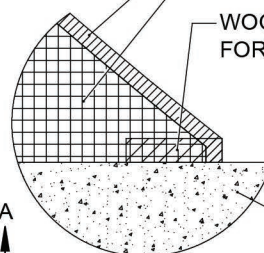
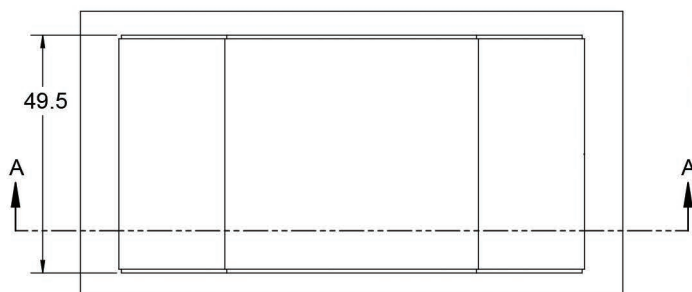
PlayMounds™ Patented Layering System by ForeverLawn®

EPP PROTECTIVE FOAM LAYER
EPS GEO FOAM CORE

WOOD NAILER FOR SECURING FOREVERLAWN TURF



GROUND ANCHORING SYSTEM



DETAIL B
SCALE 1:3

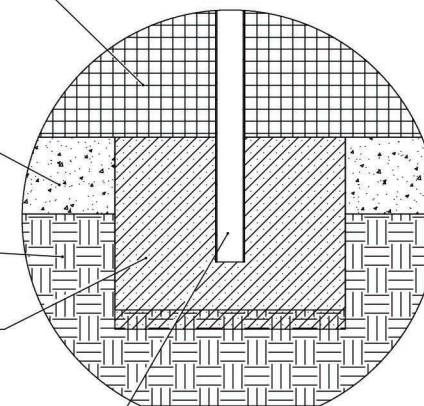
EPS GEO FOAM CORE

4" OF CRUSHED STONE

WEATHER PROOF WOOD SIDING FOR DURABILITY AND NAILING THE TURF TO

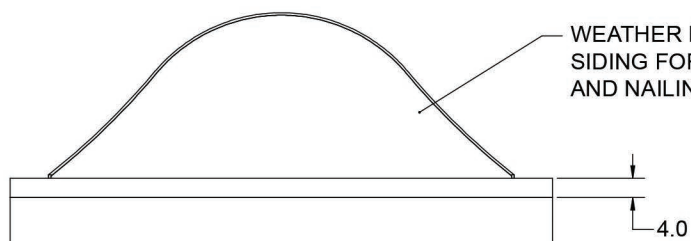
FILL DIRT

CONCRETE FOOTER



DETAIL A
SCALE 1:5

GALVANIZED STEEL POLE GLUED INTO GEO FOAM WITH URETHANE EXPANDABLE FOAM THEN SUNK INTO THE CONCRETE FOOTER



330.499.8873 • foreverlawn.com
8007 Beeson St., Louisville, OH 44641



microsite.caddetails.com/1148

Material	Polystyrene
Covering	Turf (sold separately)
Weight	140 lb (170 lb turfed)
Drawing No.	M1367 05/26